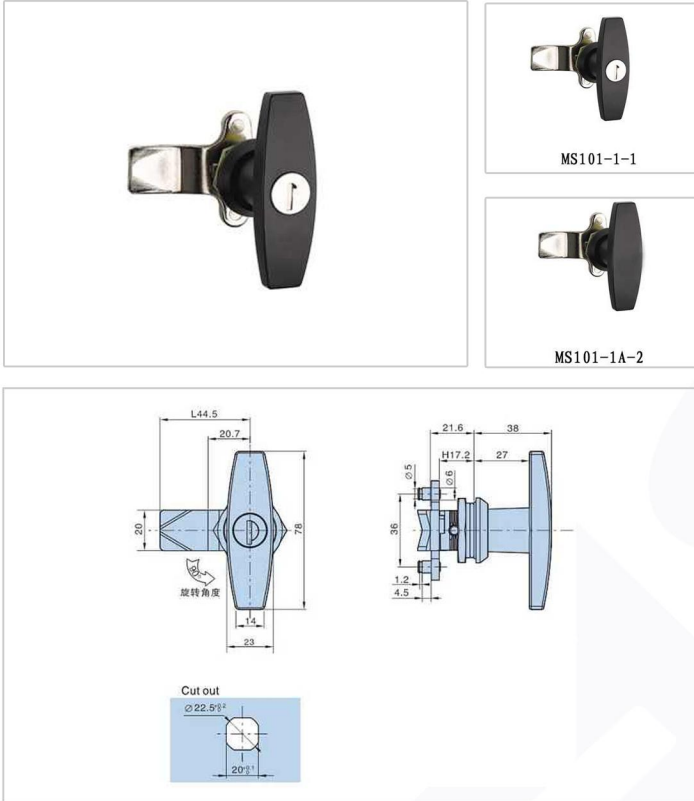


Handle Lock Serie - MS101-1-1



Features :

- Material: Zinc die-casting body Zinc plating cam
- Finish : Black powder coated, Bright chrome plating
- Panel thickness: 1~4mm
- Remark: cam cutout 8×8

Material :

- Zinc alloy

Surface treatment

- Plastic Spray → Electroplate

Product Specification

Product no.	Weight	Lot
MS101-1-1	200	100



Manufacturer & Importer

Panel Door Lock / Panel Door Hinges / Latches / Door Handles / Blind Rivet Nut / Mono-Bolt Rivets
 Self Clinching Fasteners / Door gaskets / Fan Filters / Drawer Sliding Channel