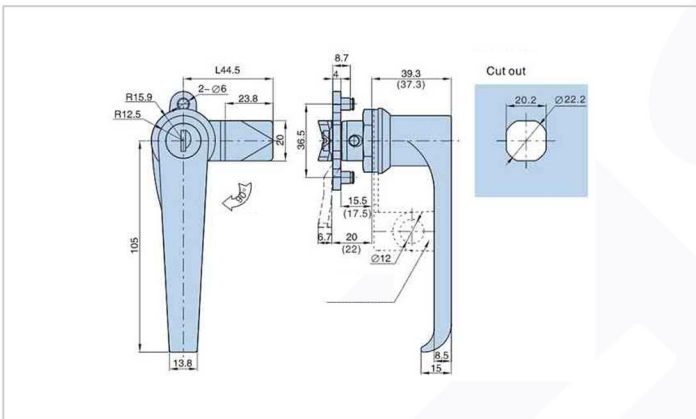


Handle Lock Serie - MS314



► Features :

- Material: Zinc die-casting body, Zinc plating cam
- Finish : Bright chrome plating, Black powder coated
- Panel thickness: 1~6mm

► Material :

- Zinc alloy

► Surface treatment

- Plastic Spray → Electroplate

► Product Specification

	Product no.	Weight	Lot
	MS314-1-1	262	100
With key	MS314-1AG-1R	315	100
w/o key	MS314-1AG-2R	305	100

Manufacturer & Importer

Panel Door Lock / Panel Door Hinges / Latches / Door Handles / Blind Rivet Nut / Mono-Bolt Rivets
 Self Clinching Fasteners / Door gaskets / Fan Filters / Drawer Sliding Channel