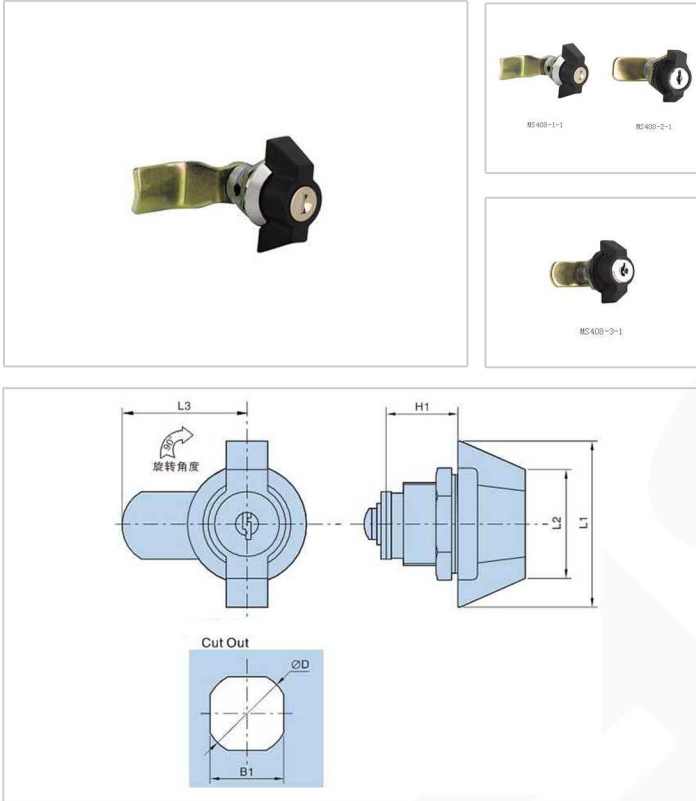


**Cam Lock Serise - MS408**



➤ **Features :**

- Material:Zinc die-casting body,Nut, Zinc plating cam
- Finish:Black powder coated
- Panel thickness:1~6mm

➤ **Meterial :**

- Zinc alloy

➤ **Surface treatment**

- Plastic Spray

➤ **Product Specification**

Dimensions						Product no.							
L1	L2	L3	B1	H1	D	Weight	Lot	Weight	Lot	Weight	Lot		
50	32.5	50	20	26.7	22	MS408-1-1	153	200	MS408-1-2	150	200		
34	28	29	16.5	24.5	18.5	MS408-2-1	74	300					
32	21	24	14.2	14	16	MS408-3-1	47	500					
										MS408-1-1T	150	200	
											MS408-3-1	65	500

**Manufacturer & Importer**

Panel Door Lock / Panel Door Hinges / Latches / Door Handles / Blind Rivet Nut / Mono-Bolt Rivets  
 Self Clinching Fasteners / Door gaskets / Fan Filters / Drawer Sliding Chanel