

Cam Lock Serie - MS434



➤ Features :

- Material: ABS housing, handle, Aluminum nut, Zinc plating cam
- Finish: black
- Panel thickness: 1~6mm
- Remark : cam cutout 8×8

➤ Material :

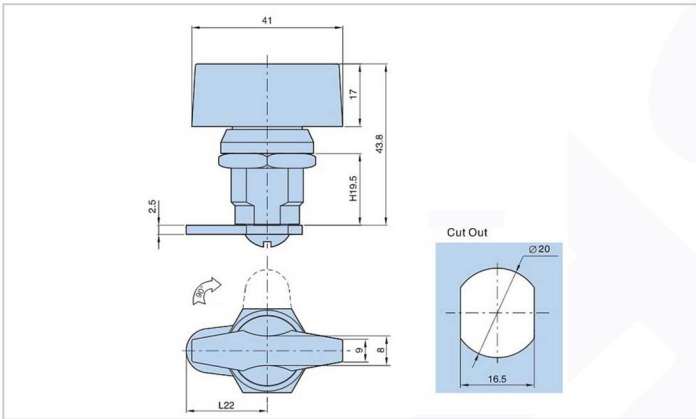
- Plastic

➤ Surface treatment

- Plastic Spray

➤ Product Specification

Product no.	Weight	Lot
MS434	25	500



Manufacturer & Importer

Panel Door Lock / Panel Door Hinges / Latches / Door Handles / Blind Rivet Nut / Mono-Bolt Rivets
 Self Clinching Fasteners / Door gaskets / Fan Filters / Drawer Sliding Channel