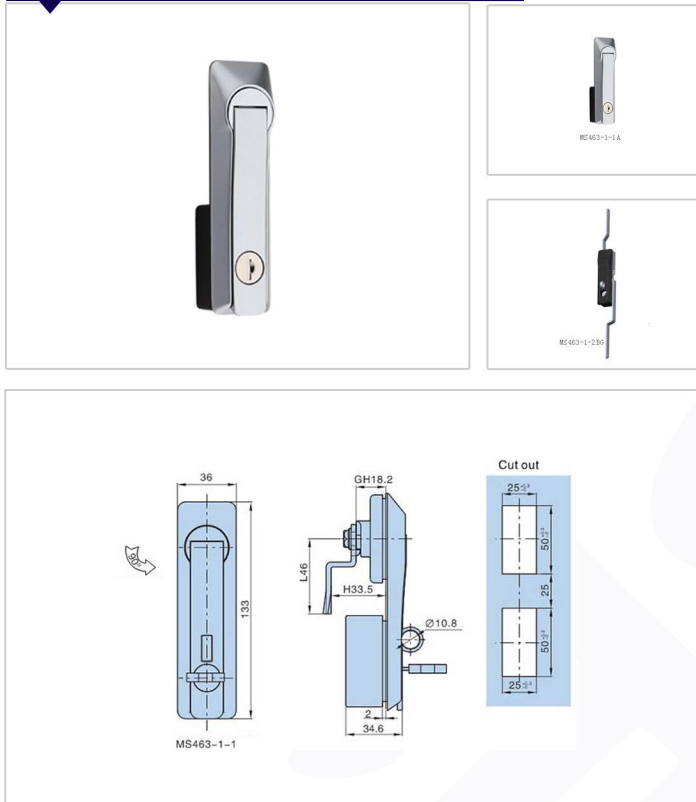


Rod Control Series - MS463



Features :

- Material: Zinc die-casting body and handle , Zinc plating cam
- Panel thickness: 1.5~2mm
- Remark: cam cutout 8×8

Material :

- Zinc alloy

Surface treatment :

- Electroplate
- Plastic Spray

Product Specification

Insert type		Product no.											
		One Point Lock(with 15mm bend cam)				Two Point Lock (w/o cam)				Three Point Lock (with cam)			
		Gray chrome plating	Black Powder coated	weight	Lot	Gray chrome plating	Black Powder coated	weight	Lot	Gray chrome plating	Black Powder coated	weight	Lot
K333 (A)	w/o packlock	MS463-1-1A.2	MS463-1-1A.3	522	50	MS463-1-2A.2	MS463-1-2A.3	532	50	MS463-1-2A.2	MS463-1-2A.3	552	50
	With packlock	MS463-1-1AG.2	MS463-1-1AG.3	547	50	MS463-1-2AG.2	MS463-1-2AG.3	552	50	MS463-1-2AG.2	MS463-1-2AG.3	582	50
K703 0 (B)	w/o packlock	MS463-1-1B.2	MS463-1-1B.3	552	50	MS463-1-2B.2	MS463-1-2B.3	562	50	MS463-1-2B.2	MS463-1-2B.3	592	50
	With packlock	MS463-1-1BG.2	MS463-1-1BG.3	570	50	MS463-1-2BG.2	MS463-1-2BG.3	580	50	MS463-1-2BG.2	MS463-1-2BG.3	610	50

Manufacturer & Importer

Panel Door Lock / Panel Door Hinges / Latches / Door Handles / Blind Rivet Nut / Mono-Bolt Rivets
 Self Clinching Fasteners / Door gaskets / Fan Filters / Drawer Sliding Channel