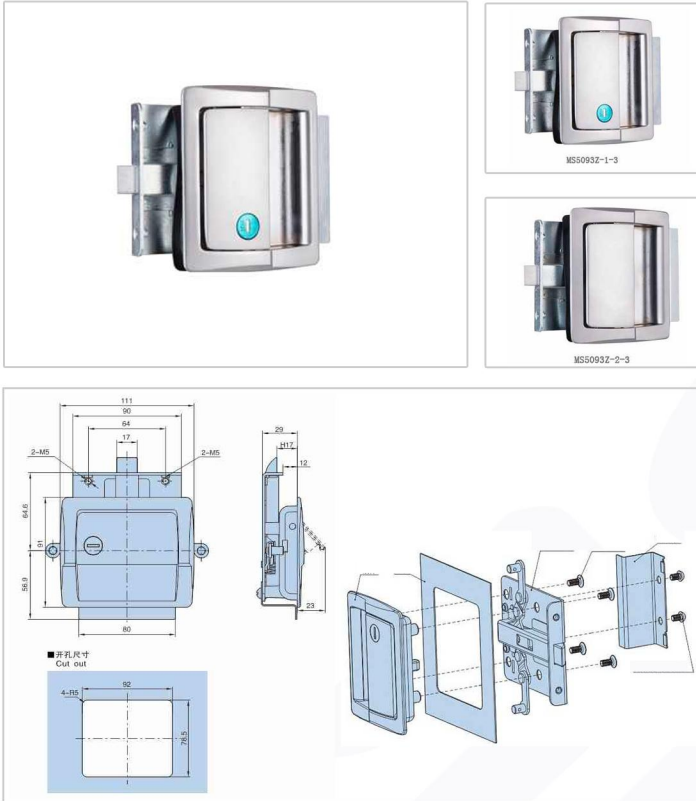


**Plane lock series - MS 5093**



**► Features :**

- Material: zinc alloy body, zinc plating cam
- Finish :Gray chrome plating
- Panel thickness: 1 ~ 3mm

**► Material :**

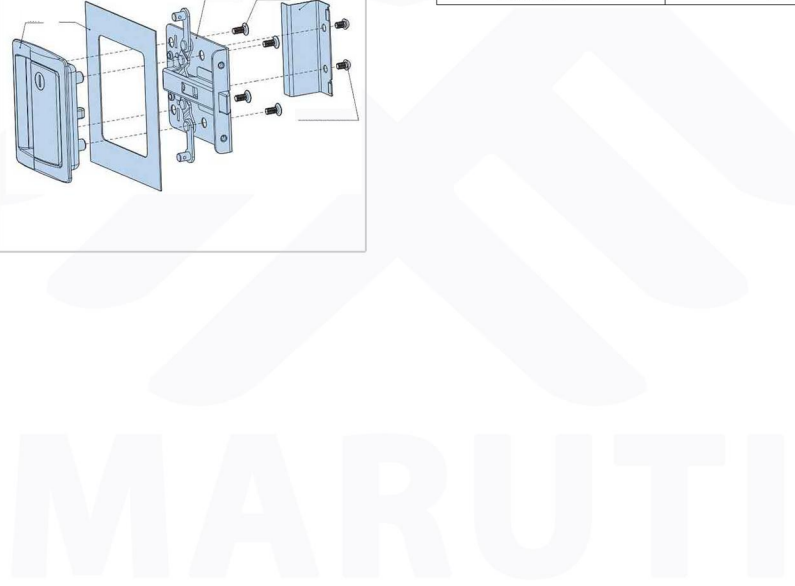
- Zinc alloy

**► Surface treatment :**

- Electroplate

**► Product Specification**

Product no.	Weight	Lot
MS5093Z-1-3	777.5	50
MS5093Z-2-3	765	50



**Manufacturer & Importer**

Panel Door Lock / Panel Door Hinges / Latches / Door Handles / Blind Rivet Nut / Mono-Bolt Rivets  
 Self Clinching Fasteners / Door gaskets / Fan Filters / Drawer Sliding Channel