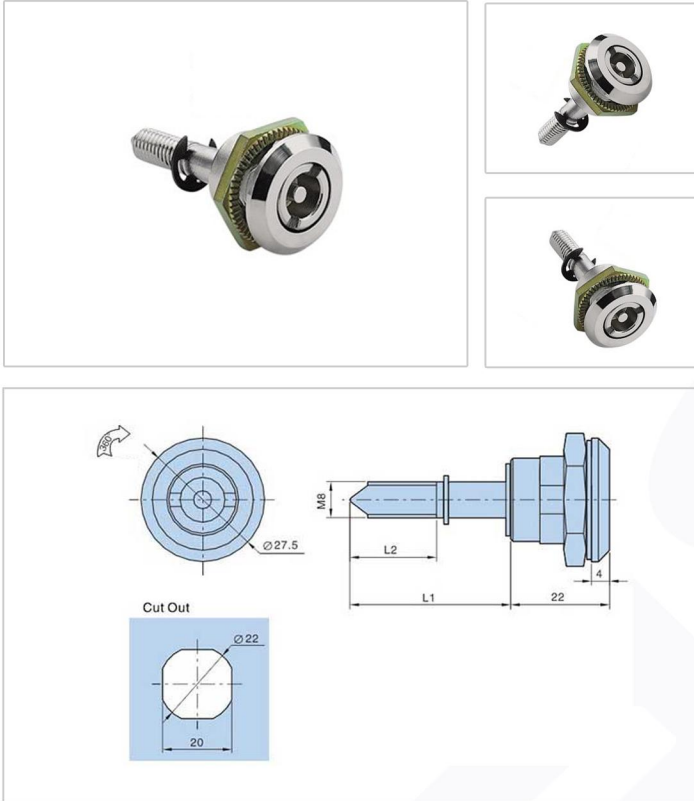


**Cam Lock Serise - MS704**



**➤ Features :**

- Material: Zinc die-casting body, Nut, steel insert
- Finish: Bright chrome plating
- Panel thickness: 1~5mm

**➤ Material :**

- Zinc alloy

**➤ Surface treatment**

- Electroplate

**➤ Product Specification**

Dimensions		Product Number					
L1	L2	Double bit insert	Weight	Lot	Triangular insert	Weight	Lot
28	18	MS704-1	102	400			
28.5	19.5	MS704-2	120	400			
35.8	19.3	MS704-4	110	400	MS704-3	105	400
37	20.5	MS704-5	103.5	400			



**Manufacturer & Importer**

Panel Door Lock / Panel Door Hinges / Latches / Door Handles / Blind Rivet Nut / Mono-Bolt Rivets  
 Self Clinching Fasteners / Door gaskets / Fan Filters / Drawer Sliding Chanel