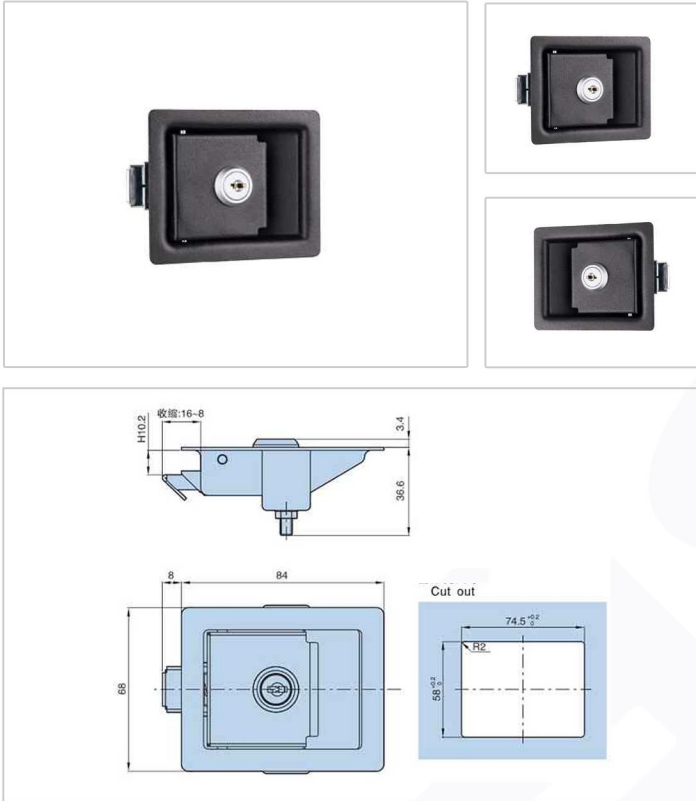


Plane lock series - MS738



Features :

- Material: steel panel, Zinc die-casting housing
- Finish :Black powder coated
- Panel thickness:1~5mm
- Remark: K0427

Material :

- Zinc alloy

Surface treatment :

- Plastic Spray

Product Specification

Product no.	Weight	Lot
MS738-1-1	204	200



Manufacturer & Importer

Panel Door Lock / Panel Door Hinges / Latches / Door Handles / Blind Rivet Nut / Mono-Bolt Rivets
 Self Clinching Fasteners / Door gaskets / Fan Filters / Drawer Sliding Channel