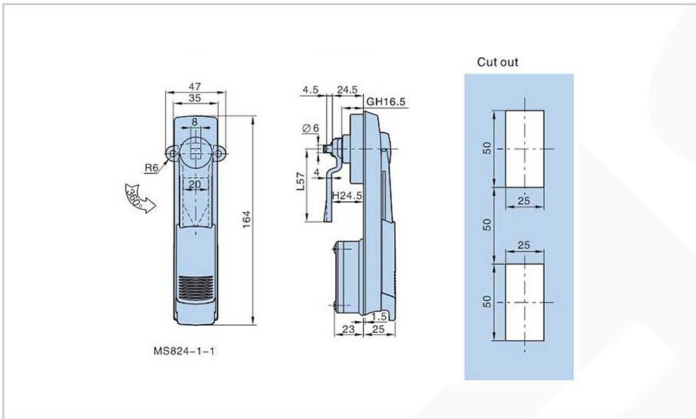


**Rod Control Series - MS824-1-1**



**Features :**

- Material:PA66 lock body,brass shaft, zinc plating cam
- Panel thickness;1~2mm
- Remark: 90 °& 360°rotate angle are available.

**Material :**

- Plastic

**Surface treatment :**

- Plastic Spray

**Product Specification**

Product Number											
One Point Lock(with 15mm bend cam)				Two Point Lock (w/o cam)				Three Point Lock (with cam)			
Matt black	Soft touch	Weight	lot	Matt black	Soft touch	Weight	lot	Matt black	Soft touch	Weight	lot
Ms824-1-1	Ms824-1-1.5	285	100	Ms824-1-2	Ms824-1-2.5	387	100	Ms824-1-3	Ms824-1-3.5	427	50

**Manufacturer & Importer**

Panel Door Lock / Panel Door Hinges / Latches / Door Handles / Blind Rivet Nut / Mono-Bolt Rivets  
 Self Clinching Fasteners / Door gaskets / Fan Filters / Drawer Sliding Chanel