

Handles Series - PL006



➤ **Features :**

- Material: PA6
- Finish: Rubber feeling sprat paing

➤ **Material :**

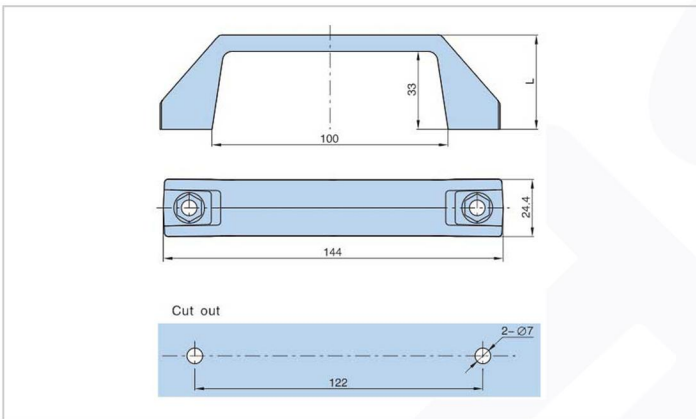
- Plastic

➤ **Surface treatment :**

- Plastic Spray

➤ **Product Specification :**

Product no.	Dimensions L	Weight	Lot
PL006	40	36.5	400
PL006-2	30	32	400



Manufacturer & Importer

Panel Door Lock / Panel Door Hinges / Latches / Door Handles / Blind Rivet Nut / Mono-Bolt Rivets
 Self Clinching Fasteners / Door gaskets / Fan Filters / Drawer Sliding Channel