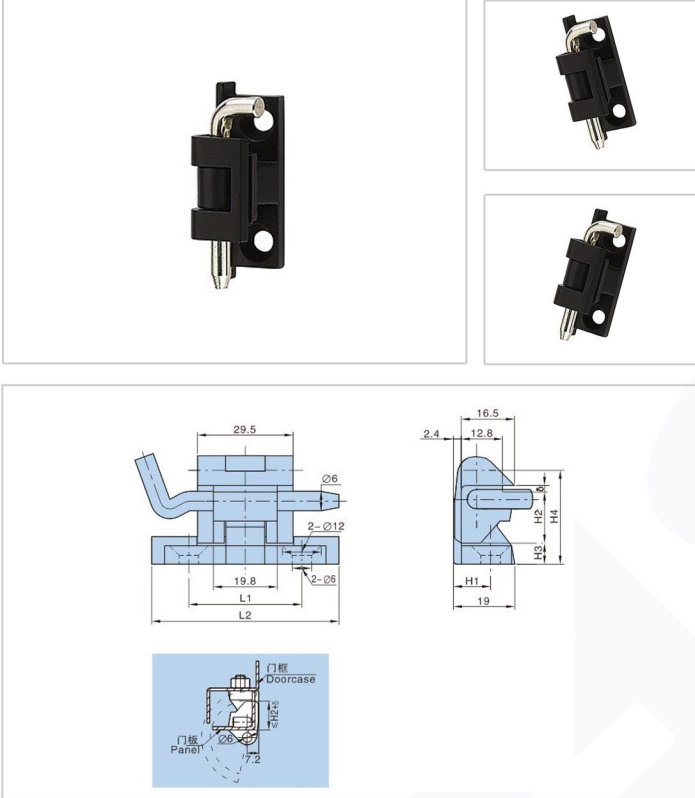


Hinge Series - HL001



➤ **Features :**

- Material: Zinc die-casting hinge, stainless steel and nickel plating steel pin are available.
- Finish: Black powder coated
- Remark: 180°hinge.

➤ **Material :**

- Zinc alloy

➤ **Surface treatment :**

- Plastic Spray

➤ **Product Specification**

Dimensions							Product Number	Weight	Lot
H1	H2	H3	H4	L1	L2				
11.5	15.8	6.5	29	35	58	2	HL001-1	101	200
10	9.8	4.8	22	25	48	2.2	HL001-2	75	300

Manufacturer & Importer

Panel Door Lock / Panel Door Hinges / Latches / Door Handles / Blind Rivet Nut / Mono-Bolt Rivets
 Self Clinching Fasteners / Door gaskets / Fan Filters / Drawer Sliding Chanel