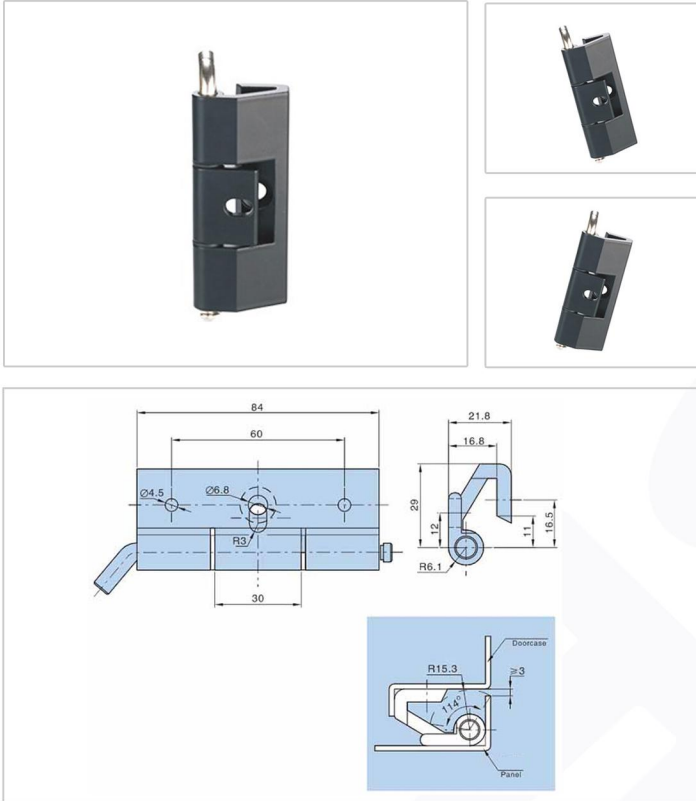


Hinge Series - HL010



Features :

- Material: Zinc die-casting hinge, stainless steel and nickel plating steel pin are available
- Finish: Black powder coated
- Remark: 110°hinge.

Material :

- Zinc alloy

Surface treatment :

- Plastic Spray

Product Specification

Product no.	Weight	Lot
HL010	188	150

Manufacturer & Importer

Panel Door Lock / Panel Door Hinges / Latches / Door Handles / Blind Rivet Nut / Mono-Bolt Rivets
 Self Clinching Fasteners / Door gaskets / Fan Filters / Drawer Sliding Channel