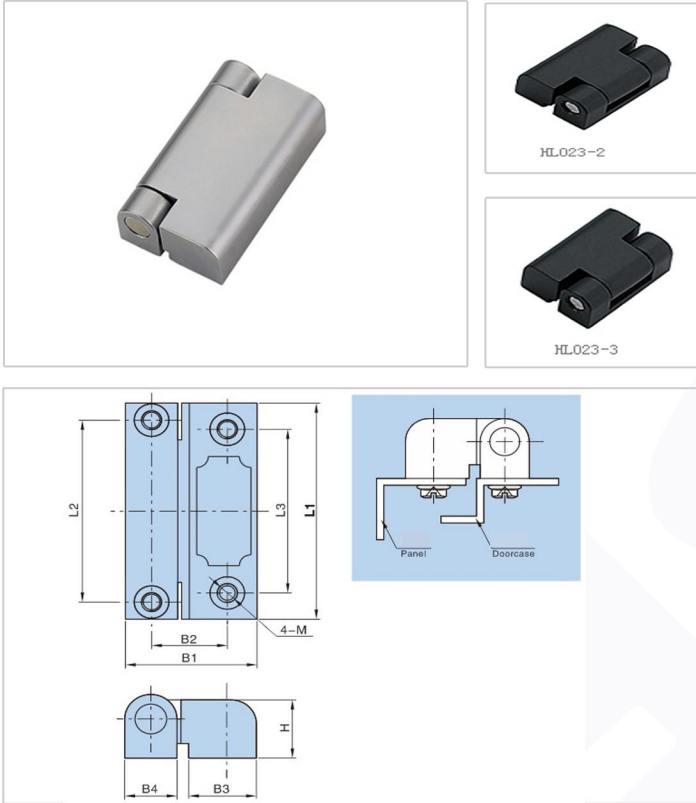


**Hinge Serise - HL023**



**Features :**

- Material: Zinc die-casting hinge, stainless steel and nickel plating steel pin are available
- Remark: 180°hinge

**Material :**

- Zinc alloy

**Surface treatment**

- Plastic Spray
- Electroplate

**Product Specification**

Dimension										Product No							
L1	L2	L3	B1	B2	B3	B4	H	M	Black powder coated	Without torque		Torque Hinge					
										Gray chrome plating	Weight	Lot	Black powder coated	Gray chrome plating	Weight	Lot	
59.5	50	45	34	19.5	17.5	13.5	17.5	5	HL023-1.3	HL023-1.2	165	200	HL023-12.3	HL023-12.2	165	200	
30	22	22	28.5	18.5	15.5	10	13	4	HL023-2.3	HL023-2.2	42.5	400	HL023-22.3	HL023-22.2	42.5	400	
30	22	22	22	13	9	10	13	4	HL023-3.3	HL023-3.2	43	500	HL023-32.3	HL023-32.2	43	500	

**Manufacturer & Importer**

Panel Door Lock / Panel Door Hinges / Latches / Door Handles / Blind Rivet Nut / Mono-Bolt Rivets  
 Self Clinching Fasteners / Door gaskets / Fan Filters / Drawer Sliding Chanel