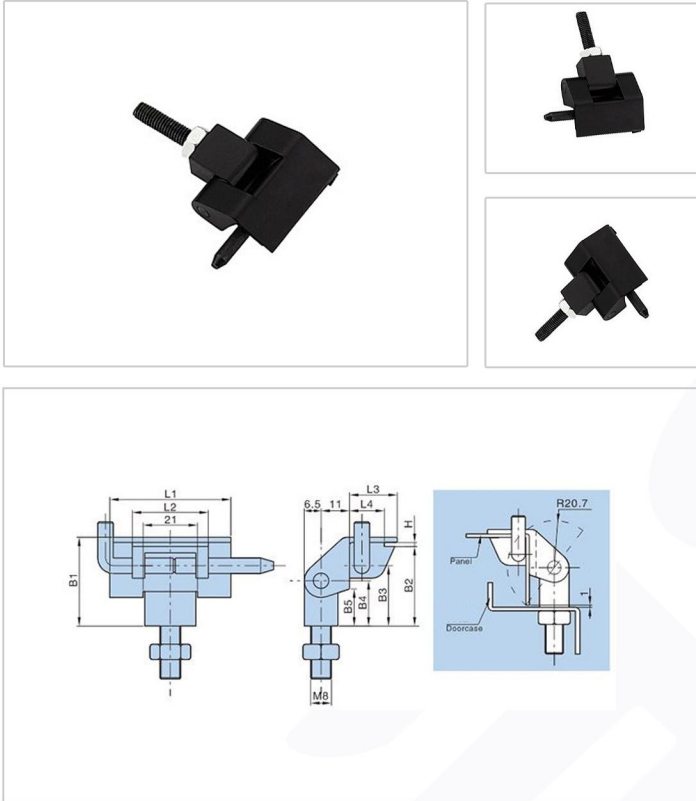


Hinge Series - HL033



Features :

- Material: Zinc die-casting hinge, stainless steel and nickel plating steel pin are available
- Finish: Black powder coated
- Remark: 180°hinge

Material :

- Zinc alloy

Surface treatment :

- Plastic Spray

Product Specification

Dimensions										Product no.	Weight	Lot
L1	L2	L3	L4	B1	B2	B3	B4	B5	H			
46.8	29.5	18.5	13.5	34.3	30.7	23.3	17.5	14.6	1.6	HL033-1	147.5	200
46.5	29.5	19.2	11.7	28.5	24.8	17.1	11.6	8.6	1.9	HL033-2	140	200



Manufacturer & Importer

Panel Door Lock / Panel Door Hinges / Latches / Door Handles / Blind Rivet Nut / Mono-Bolt Rivets
 Self Clinching Fasteners / Door gaskets / Fan Filters / Drawer Sliding Chanel