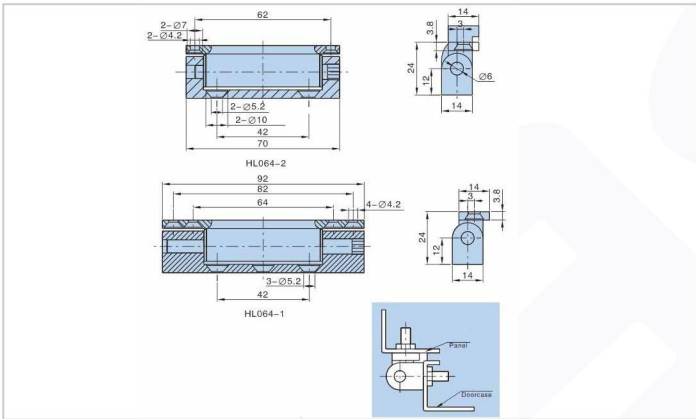


Hinge Series - HL064



➤ **Features :**

- Material: Zinc die-casting hinge, stainless steel and nickel plating steel pin are available
- Finish: Gray chrome plating
- Remark: 180° hinge

➤ **Material :**

- Zinc alloy

➤ **Surface treatment :**

- Electroplate

➤ **Product Specification**

Product no.	Weight	Lot
HL064-1	163	200
HL064-2	122	300

Manufacturer & Importer

Panel Door Lock / Panel Door Hinges / Latches / Door Handles / Blind Rivet Nut / Mono-Bolt Rivets
 Self Clinching Fasteners / Door gaskets / Fan Filters / Drawer Sliding Channel