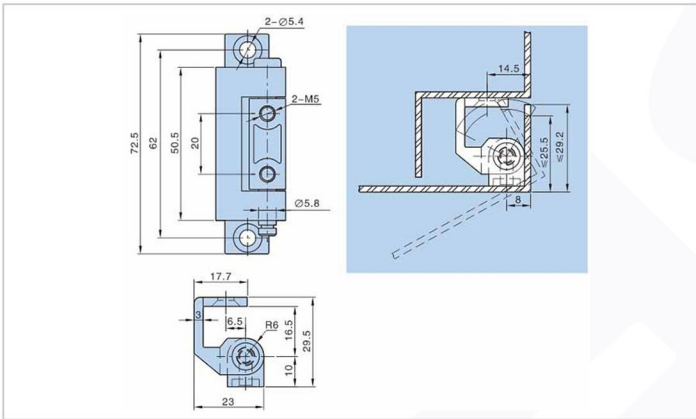


**Hinge Series - HL090**



**Features :**

- Material: Zinc die-casting hinge nickel plating steel pin
- Finish: Black powder coated
- Remark: 100°hinge.

**Material :**

- Zinc alloy

**Surface treatment :**

- Plastic Spray

**Product Specification**

| Product no. | Weight | Lot |
|-------------|--------|-----|
| HL090       | 106    | 200 |

**Manufacturer & Importer**

Panel Door Lock / Panel Door Hinges / Latches / Door Handles / Blind Rivet Nut / Mono-Bolt Rivets  
 Self Clinching Fasteners / Door gaskets / Fan Filters / Drawer Sliding Chanel