

Hinge Series - HL091



Features :

- Material:PA-6 hinge
- Finish:Matt black
- Remark:180°prominent hinge both left and right use

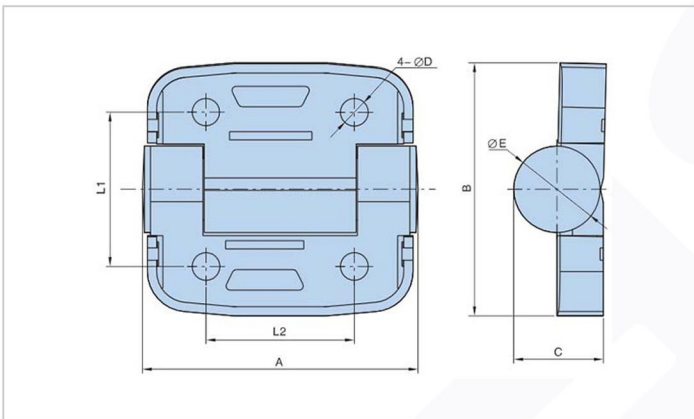
Meterial :

- Plastic

Surface treatment :

- Plastic Spray

Product Specification



Dimensions							Product no.	Weight	Lot
A	B	C	D	E	L1	L2			
62.5	58	20.8	6.5	20	36	36	HL091-1	46	400
44.6	41	14.5	6.5	14	25	24	HL091-2	18	500

Manufacturer & Importer

Panel Door Lock / Panel Door Hinges / Latches / Door Handles / Blind Rivet Nut / Mono-Bolt Rivets
 Self Clinching Fasteners / Door gaskets / Fan Filters / Drawer Sliding Chanel