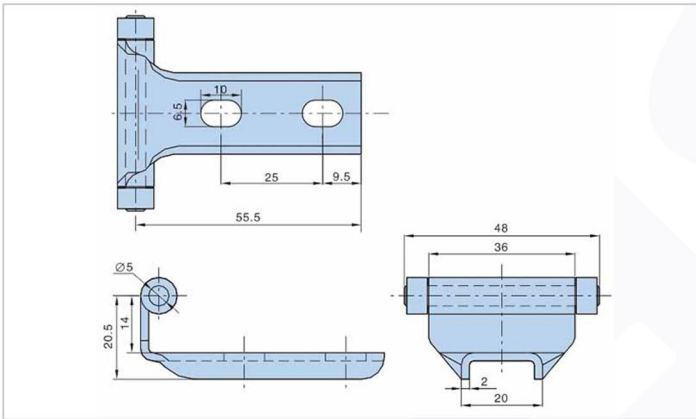


Hinge Series - HL100



Features :

- Material: Zinc plating steel hinge
- Finish: white zinc plating
- Remark: 180°hinge

Meterial :

- A3

Surface treatment :

- Electroplate

Product Specification

Product no.	Weight	Lot
HL100	40	500

Manufacturer & Importer

Panel Door Lock / Panel Door Hinges / Latches / Door Handles / Blind Rivet Nut / Mono-Bolt Rivets
 Self Clinching Fasteners / Door gaskets / Fan Filters / Drawer Sliding Chanel