

Hinge Series - HL109

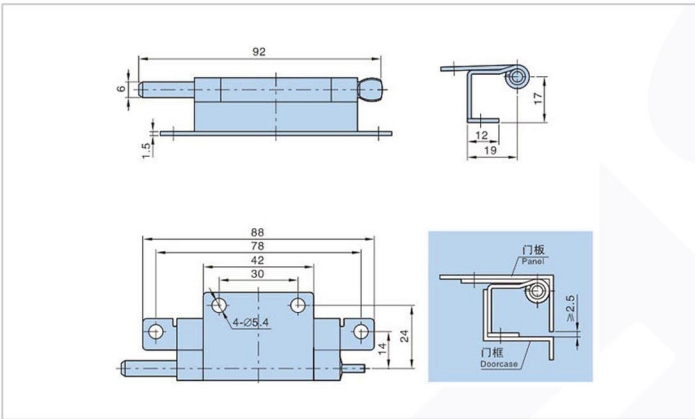


- **Features :**
 - Material: Stainless steel hinge
 - Finish: drawing

- **Material :**
 - Stainless steel

➤ **Product Specification**

Product no.	Weight	Lot
HL109	78	200



Manufacturer & Importer

Panel Door Lock / Panel Door Hinges / Latches / Door Handles / Blind Rivet Nut / Mono-Bolt Rivets
 Self Clinching Fasteners / Door gaskets / Fan Filters / Drawer Sliding Channel