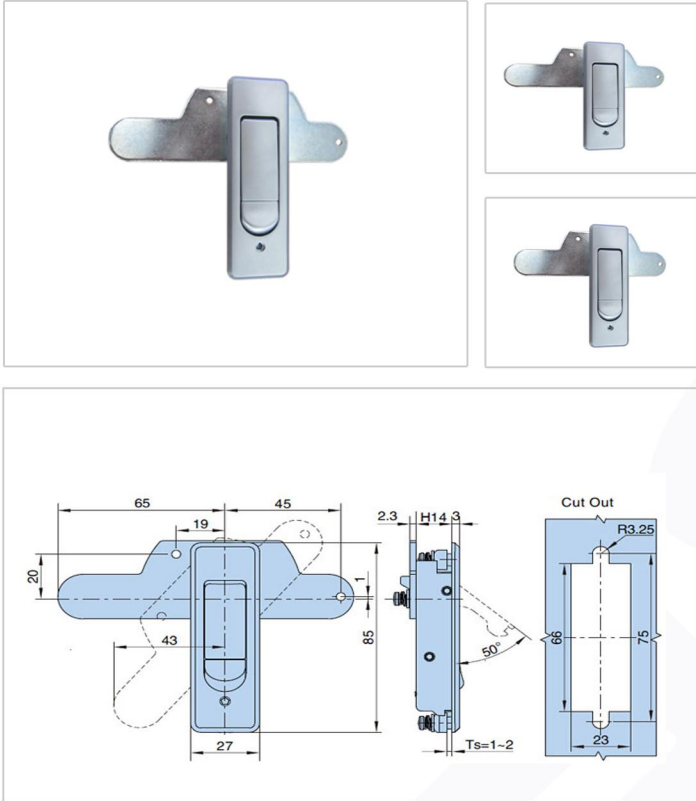


**Flat lock Serie - AB2013Z-1-1**



**► Features :**

- Material:zinc alloy for the housing,lock back,button and mounting cap,A3 for the cam.
- Finish:gray chrome plating for the body,blue-white zinc plating for the accessories.
- Panel thickness:1~2mm
- Funtion:when press the button,the handle pop up 45°angle to lock and unlock.
- Remark:180°reversal of the horizontal cam to right or

**► Meterial :**

- Zinc alloy

**► Surface treatment**

- Electroplate

**► Product Specification**

	Product No	Weight	Lot
With Key	AB2013Z-1-1	222.3	80
W/O Key	AB2013Z-1-2	218.7	80

**Manufacturer & Importer**

Panel Door Lock / Panel Door Hinges / Latches / Door Handles / Blind Rivet Nut / Mono-Bolt Rivets  
 Self Clinching Fasteners / Door gaskets / Fan Filters / Drawer Sliding Chanel