

**Flat lock Serise - AB301-2A-1G**



**► Features :**

- Material:zinc alloy for the housing, lock back,steel cam assemble ing plate .
- Finish :Gray spray painting
- Panel thinkness:1~3mm
- Remark:Cam Cut out 8X8

**► Meterial :**

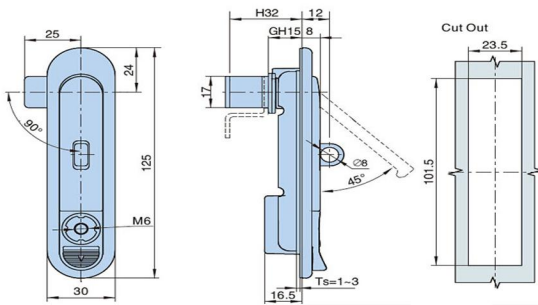
- Zinc alloy

**► Surface treatment**

- Electroplate

**► Product Specification**

Product No	Weight	Lot
AB301-2A-1G	204	100



**Manufacturer & Importer**

Panel Door Lock / Panel Door Hinges / Latches / Door Handles / Blind Rivet Nut / Mono-Bolt Rivets  
 Self Clinching Fasteners / Door gaskets / Fan Filters / Drawer Sliding Chanel