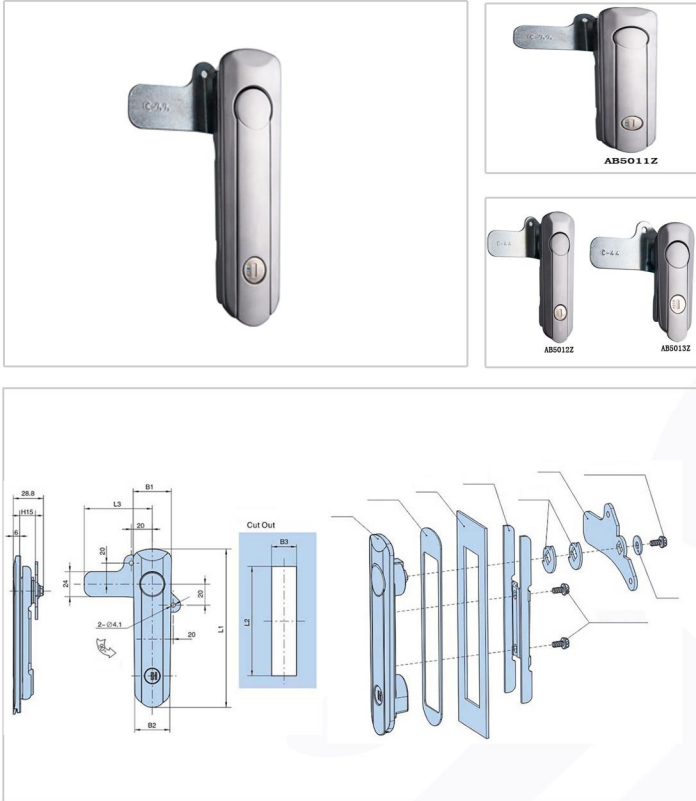


Flat lock Serie - AB5011Z



➤ **Features :**

- Material: Zinc die-casting body and shaft, Zinc plating cam, fixing parts
- Panel thickness: 1~4mm
- Remark: cam cutout 8×8

➤ **Material :**

- Zinc alloy

➤ **Surface treatment**

- Electroplate

➤ **Product Specification**

| Product No | Dimension | | | | | | Weight | Lot |
|-------------|-----------|------|----|------|------|------|--------|-----|
| | L1 | L2 | L3 | B1 | B2 | B3 | | |
| AB5011Z-1-1 | 151 | 117 | 72 | 36 | 33.5 | 26.5 | 328 | 50 |
| AB5012Z-1-1 | 123 | 95.5 | 65 | 36.5 | 33.5 | 23.5 | 260 | 100 |
| AB5013Z-1-1 | 91 | 62.5 | 65 | 33 | 30 | 23.5 | 202 | 100 |



Manufacturer & Importer

Panel Door Lock / Panel Door Hinges / Latches / Door Handles / Blind Rivet Nut / Mono-Bolt Rivets
 Self Clinching Fasteners / Door gaskets / Fan Filters / Drawer Sliding Chanel