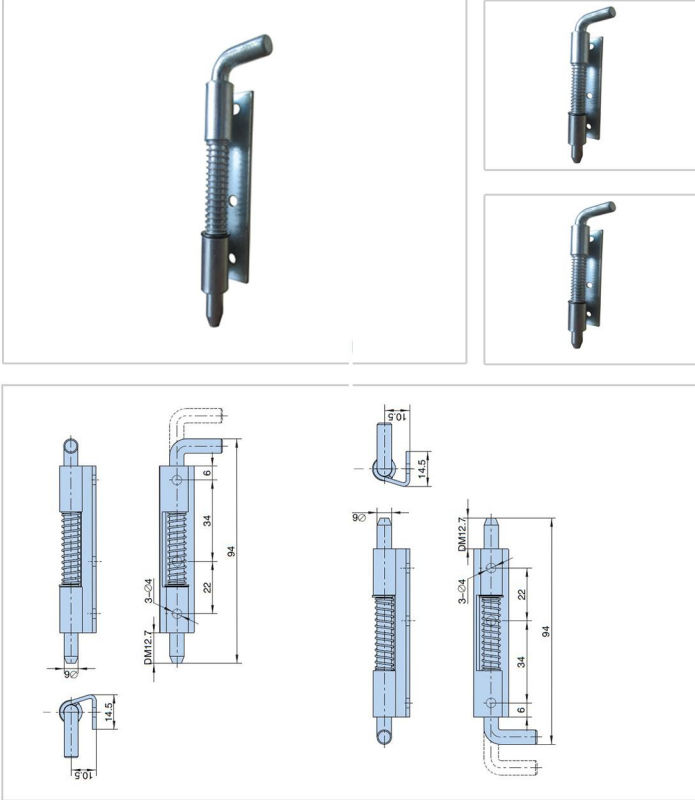


Hinge Serise - HL035-1B



➤ Features :

- Material : A3 for the hinge and pin,65MN for the spring and split washer.
- Finish:blue-white zinc plating

➤ Meterial :

- A3

➤ Surface treatment

- Electroplate

➤ Product Specification

Product No	Weight	Lot
HL035-1BR	5.2	500
HL035-1BL	5.2	500

Manufacturer & Importer

Panel Door Lock / Panel Door Hinges / Latches / Door Handles / Blind Rivet Nut / Mono-Bolt Rivets
 Self Clinching Fasteners / Door gaskets / Fan Filters / Drawer Sliding Chanel