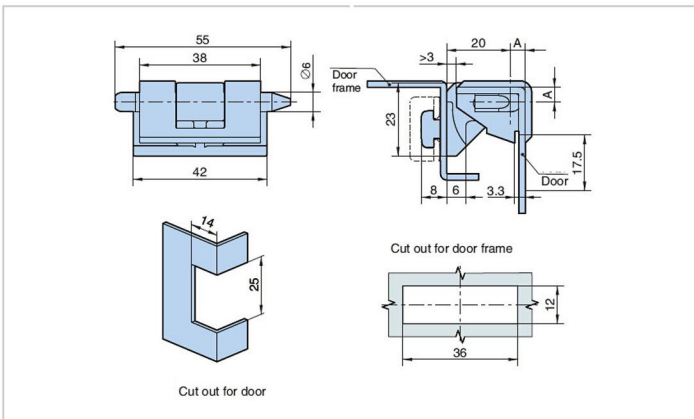


**Hinge Serise - HL089-2A**



- Features :
  - Material:Zinc die-casting hinge steel pin
  - Finsh:black powder coated
  - Remark:180°hinge
- Meterial :
  - Zinc alloy
- Surface treatment
  - Plastic Spray
- Product Specification



Product No	Diminutions	Panel Thickness	Weight	Lot
	A			
HL089-2A	4.6	1.5 mm	115.5	-
HL089-2B	5.1	2 mm	-	-
HL089-2C	6.1	3 m	-	-

**Manufacturer & Importer**

Panel Door Lock / Panel Door Hinges / Latches / Door Handles / Blind Rivet Nut / Mono-Bolt Rivets  
 Self Clinching Fasteners / Door gaskets / Fan Filters / Drawer Sliding Chanel