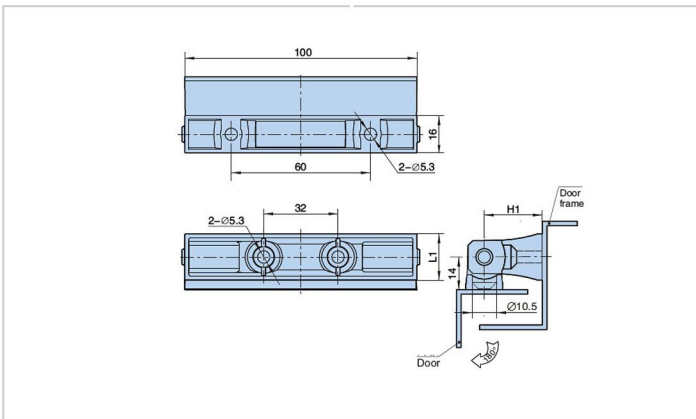


**Hinge Serise - HL126-1**



- **Features :**
  - Material:Zinc die-casting hinge,Zincplating steel pin;
  - Finish:Bright chrome plated
  - Remark:180°hinge
- **Meterial :**
  - Zinc alloy
- **Surface treatment**
  - Electroplate
- **Product Specification**



Product No	Diminutions		Weight	Lot
	H1	L1		
HL126-1	25	20	182.5	50
HL126-2	18	18	195.3	100

**Manufacturer & Importer**

Panel Door Lock / Panel Door Hinges / Latches / Door Handles / Blind Rivet Nut / Mono-Bolt Rivets  
 Self Clinching Fasteners / Door gaskets / Fan Filters / Drawer Sliding Chanel