

Hinge Serie - HL136



➤ **Features :**

- ➔ Material: Zinc die-casting hinge
- ➔ Finish: black powder coated
- ➔ Panel thickness: HL136-1 1.5mm, HL136-2 2mm
- ➔ Remarks: 105°hinge

➤ **Material :**

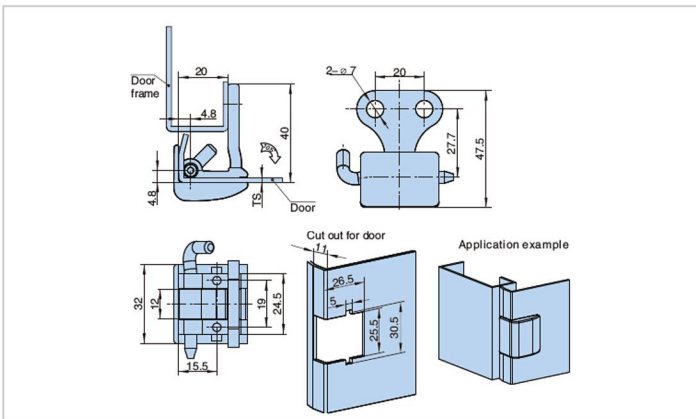
- ➔ Zinc alloy

➤ **Surface treatment**

- ➔ Plastic Spray

➤ **Product Specification**

Product No	Dimensions	Weight	Lot
HL136-1	Ts=1.5	86.5	200
HL136-2	Ts=2	85.3	200



Manufacturer & Importer

Panel Door Lock / Panel Door Hinges / Latches / Door Handles / Blind Rivet Nut / Mono-Bolt Rivets
 Self Clinching Fasteners / Door gaskets / Fan Filters / Drawer Sliding Channel