

**Hinge Serise - HL137**

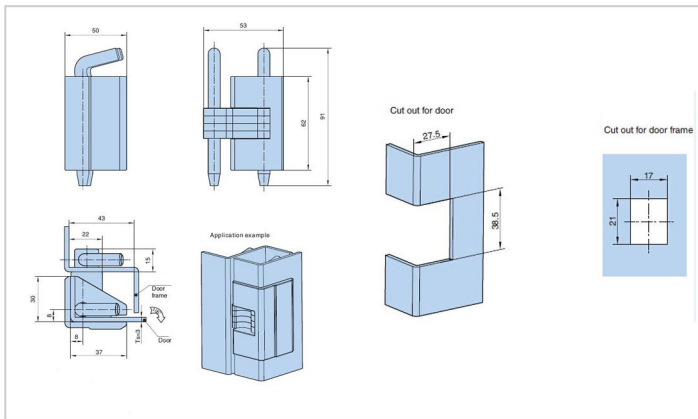


- **Features :**
  - Material: Zinc die-casting hinge steel pin
  - Finish: Powder coated (7012)
  - Panel thickness: 1~3mm
  - Remarks: 105°hinge

- **Material :**
  - Zinc alloy
- **Surface treatment**
  - Electroplate

➤ **Product Specification**

Product No	Weight	Lot
HL137	370	60



**Manufacturer & Importer**

Panel Door Lock / Panel Door Hinges / Latches / Door Handles / Blind Rivet Nut / Mono-Bolt Rivets  
 Self Clinching Fasteners / Door gaskets / Fan Filters / Drawer Sliding Chanel