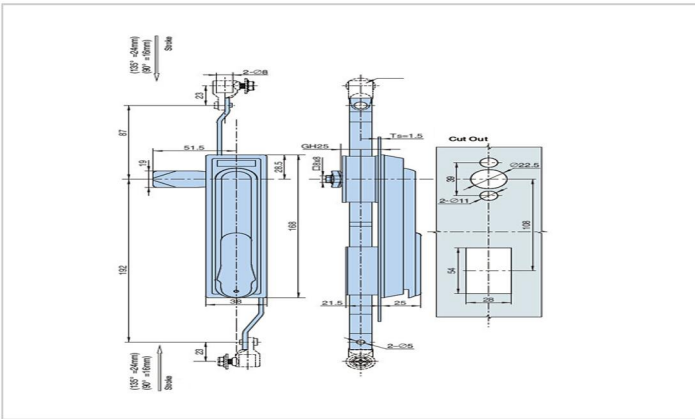
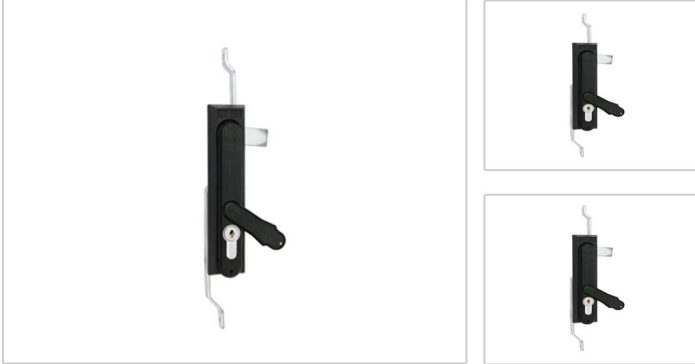


**The connecting rod lock Serise - MS100-4-1**



**➤ Features :**

- ➔ Material:PA-6 body,brass shaft,zinc die plating cam, fixing parts;
- ➔ Finish:bright chrome for the cylinder and gear box,- blue-white zinc plating for the rods.
- ➔ Panel thickness:1-3mm;
- ➔ Remark: cam cutout 8×8

**➤ Meterial :**

- ➔ Zinc alloy

**➤ Surface treatment**

- ➔ Electroplate

**➤ Product Specification**

Product No	Weight	Lot
MS100-4-1	534	50

**Manufacturer & Importer**

Panel Door Lock / Panel Door Hinges / Latches / Door Handles / Blind Rivet Nut / Mono-Bolt Rivets  
 Self Clinching Fasteners / Door gaskets / Fan Filters / Drawer Sliding Chanel