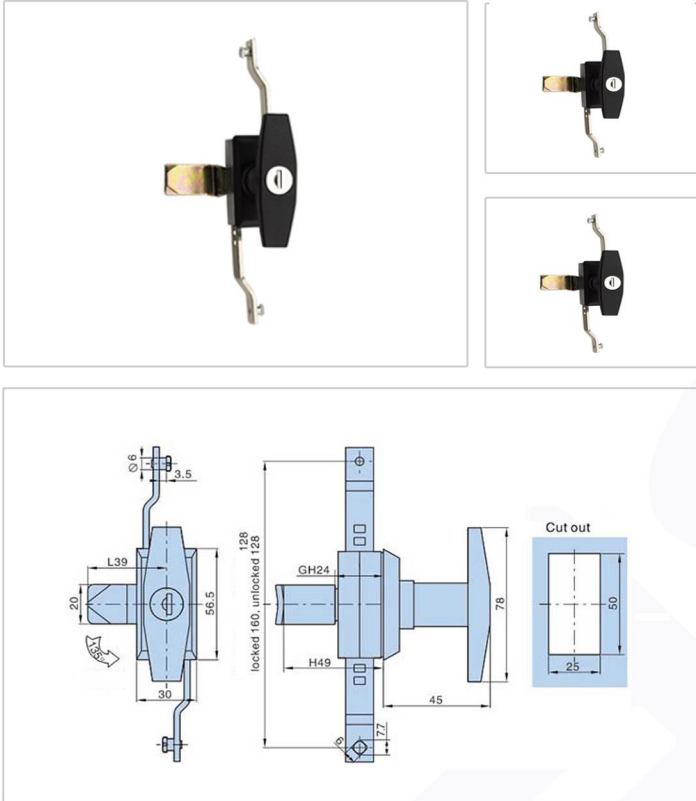


The connecting rod lock Serise - MS102-1



► Features :

- Material: Zinc die-casting body 、 Plastic housing, Zinc plating cam、 Nickel Plating driving rod
- Finish : Black powder coated
- Panel thickness: 1~2mm
- Remark: cam cutout 8×8

► Material :

- Zinc alloy

► Surface treatment

- Plastic Spray

► Product Specification

Product Number	Weight	Lot
MS102-1	399	50

Manufacturer & Importer

Panel Door Lock / Panel Door Hinges / Latches / Door Handles / Blind Rivet Nut / Mono-Bolt Rivets
 Self Clinching Fasteners / Door gaskets / Fan Filters / Drawer Sliding Chanel