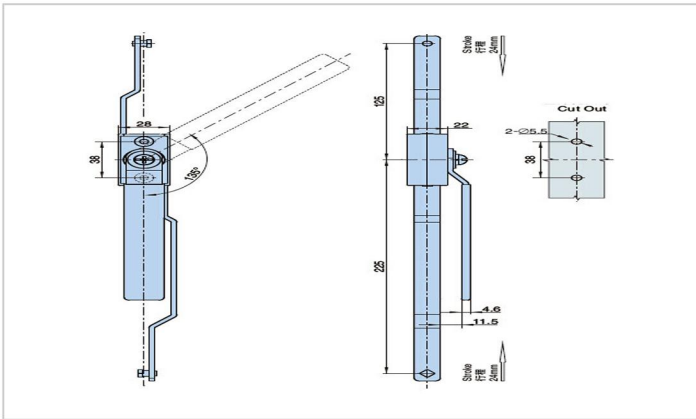


The connecting rod lock Serise - MS102C-2



- **Features :**
 - Material:Zinc die-cating Rod box, steel handle with plastic cover
 - Finsh:White Zinc plating
- **Meterial :**
 - Zinc alloy
- **Surface treatment**
 - Electroplate
- **Product Specification**

Product No	Weight	Lot
MS102C-2	308.5	50



Manufacturer & Importer

Panel Door Lock / Panel Door Hinges / Latches / Door Handles / Blind Rivet Nut / Mono-Bolt Rivets
 Self Clinching Fasteners / Door gaskets / Fan Filters / Drawer Sliding Chanel