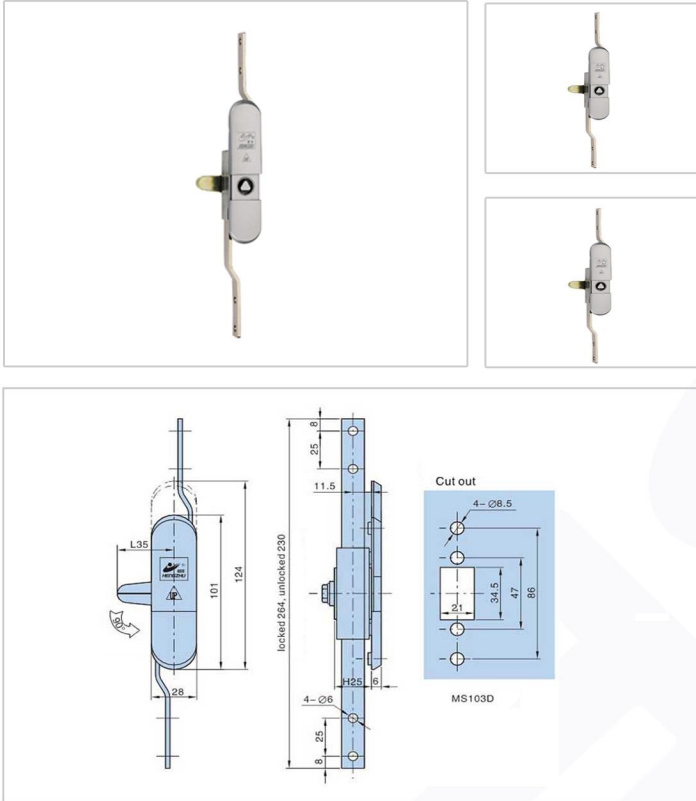


The connecting rod lock Serise - MS103D



► Features :

- Material: Zinc die-casting body, Zinc plating cam ; nickel plating driving rod
- Finish : Gray chrome plating
- Panel thickness: 1~3mm
- Remark: cam cutout 7×7

► Material :

- Zinc alloy

► Surface treatment

- Electroplate

► Product Specification

Product Number	Weight	Lot
Three point lock	324	60
One point lock	230	100



Manufacturer & Importer

Panel Door Lock / Panel Door Hinges / Latches / Door Handles / Blind Rivet Nut / Mono-Bolt Rivets
 Self Clinching Fasteners / Door gaskets / Fan Filters / Drawer Sliding Channel