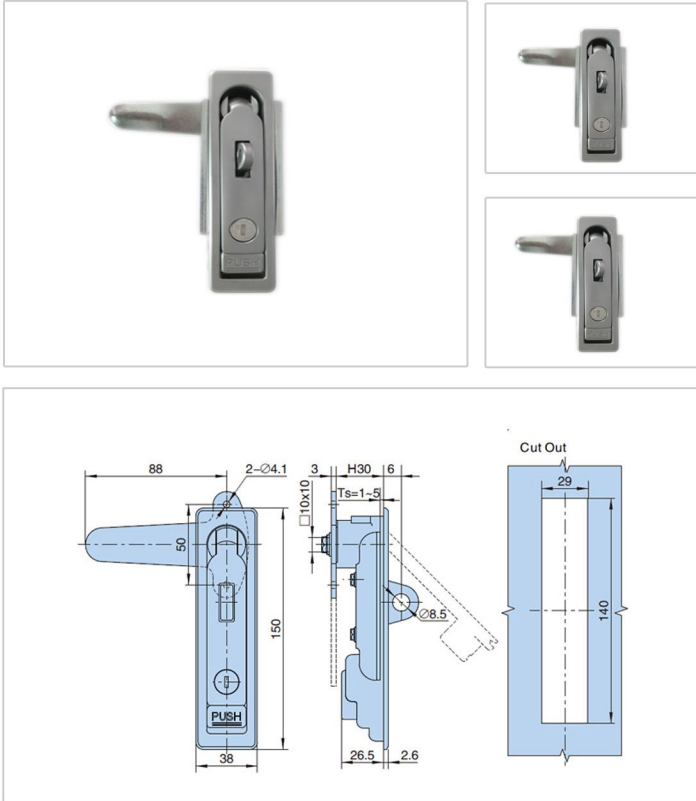


Flat lock Serise - MS104C-1-1G



➤ Features :

- Material:Zinc die-casting body and shaft, Zinc plating cam
- Panel thickness:1~5mm fixin parts
- Remark:cam cutout 10x10
- Finish:Cray chrome plating,Bright chrome plating
Black powder coated

➤ Meterial :

- Zinc alloy

➤ Surface treatment

- Plastic Spray
- Electroplate

➤ Product Specification

Product No		Weight	Lot
K0600(A)	K0200		
MS104C-1-A1G	MS104C-1-1G	565	40

Manufacturer & Importer

Panel Door Lock / Panel Door Hinges / Latches / Door Handles / Blind Rivet Nut / Mono-Bolt Rivets
 Self Clinching Fasteners / Door gaskets / Fan Filters / Drawer Sliding Chanel