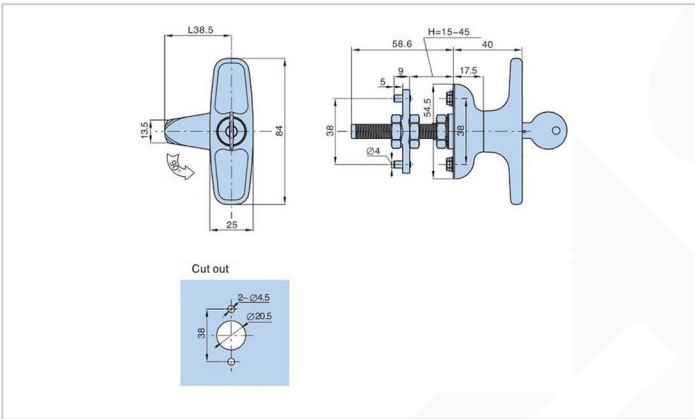
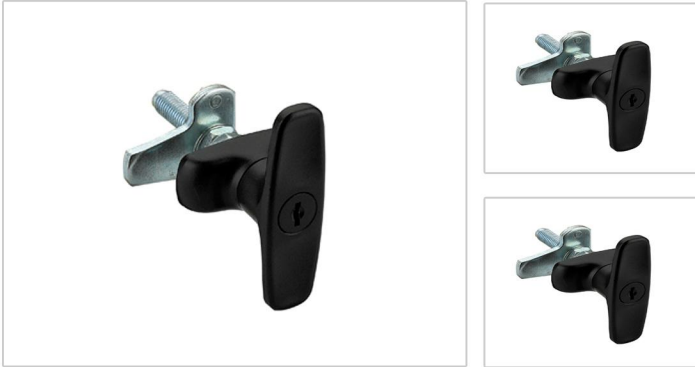


**Handle Lock Serie - MS107**



**➤ Features :**

- Material: Zinc die-casting body zinc plating steel cam
- Finish : Matt black
- Panel thickness: 1~5mm

**➤ Material :**

- Zinc alloy

**➤ Surface treatment**

- Plastic Spray

**➤ Product Specification**

Product Number	Weight	Lot
MS107-1-1	304.5	100



**Manufacturer & Importer**

Panel Door Lock / Panel Door Hinges / Latches / Door Handles / Blind Rivet Nut / Mono-Bolt Rivets  
 Self Clinching Fasteners / Door gaskets / Fan Filters / Drawer Sliding Channel