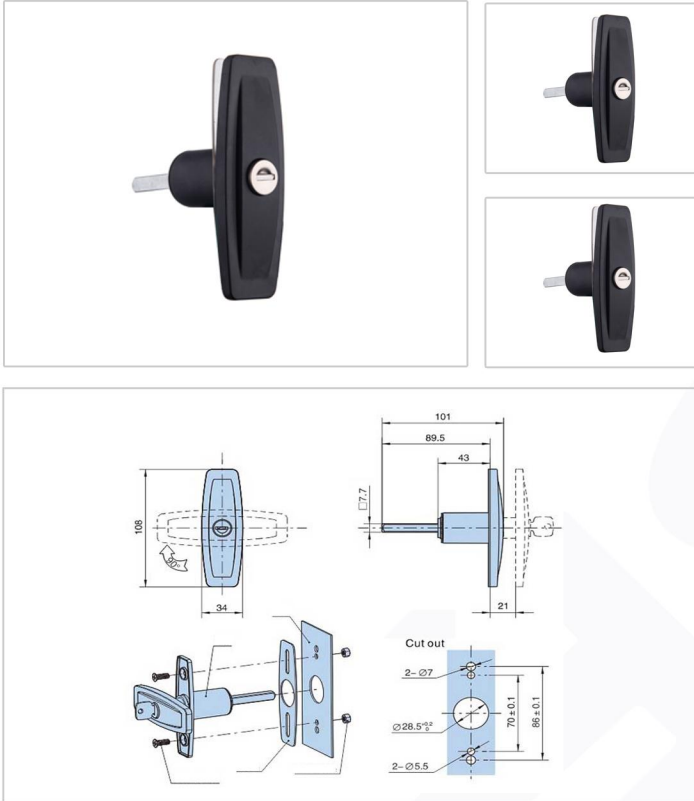


**Handle Lock Serie - MS111**



**► Features :**

- Material:Zinc die-casting body Zinc plating cam
- Finish :Black powder coated
- Panel thickness:1~20mm
- Remark:cam cutout 8x8

**► Material :**

- Zinc alloy

**► Surface treatment**

- Plastic Spray

**► Product Specification**

Product Number	Weight	Lot
MS111-1-1	286	100

**Manufacturer & Importer**

Panel Door Lock / Panel Door Hinges / Latches / Door Handles / Blind Rivet Nut / Mono-Bolt Rivets  
 Self Clinching Fasteners / Door gaskets / Fan Filters / Drawer Sliding Channel