

Handle Lock Serie - MS3003Z



Features :

- Material:Zinc die-casting body,Zinc plating cam
- Finish :Bright chrome plating
- Panel thickness:1~3mm

Material :

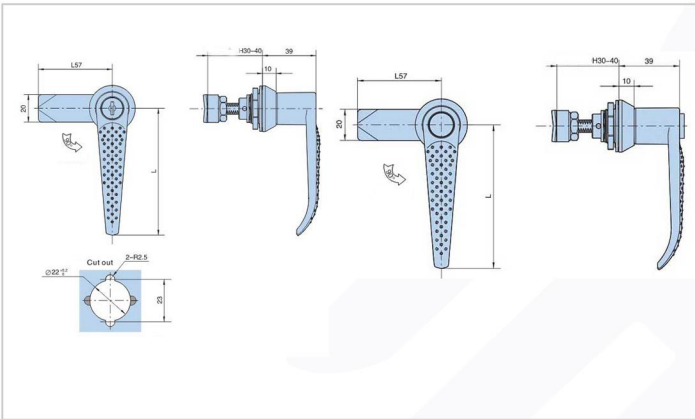
- Zinc alloy

Surface treatment

- Electroplate

Product Specification

| Product Number | | L | Weight | Lot |
|----------------|-------------|-------|--------|-----|
| With Key | MS3001Z-1-1 | 115.5 | 246 | 40 |
| | MS3002Z-1-1 | 92.5 | 236 | 100 |
| | MS3003Z-1-1 | 65.5 | 210 | 100 |
| W/O Key | MS3001Z-1-1 | 115.5 | 240 | 40 |
| | MS3002Z-1-1 | 92.5 | 230 | 100 |
| | MS3003Z-1-1 | 65.5 | 205 | 100 |



Manufacturer & Importer

Panel Door Lock / Panel Door Hinges / Latches / Door Handles / Blind Rivet Nut / Mono-Bolt Rivets
 Self Clinching Fasteners / Door gaskets / Fan Filters / Drawer Sliding Chanel