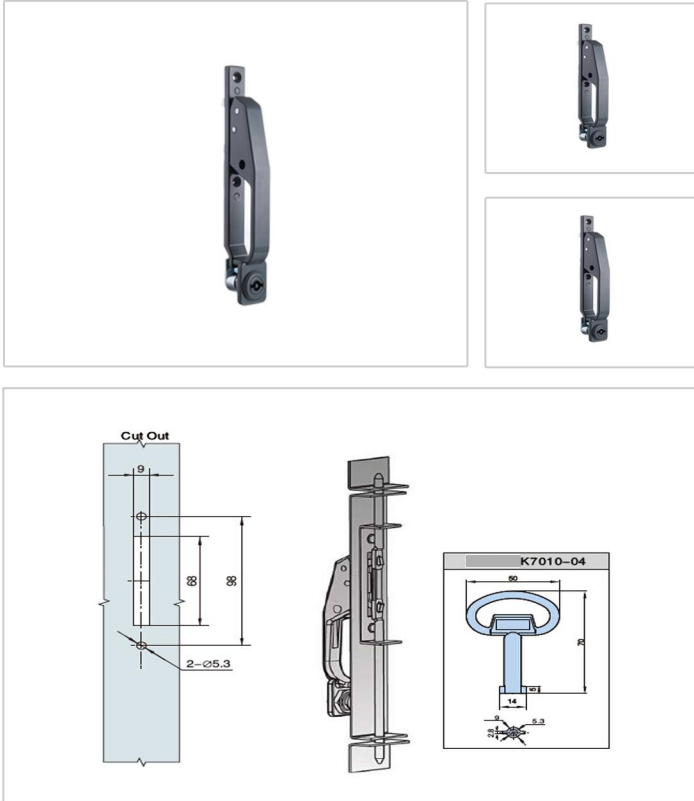


Handle lock Serise - MS3004Z-1-1



➤ **Features :**

- Material: Zinc die-casting body
- Finish: Powder coated(7012)
- Panel thickness:1~3mm

➤ **Meterial :**

- Zinc alloy

➤ **Surface treatment**

- Plastic Spray

➤ **Product Specification**

Product No	Weight	Lot
MS3004Z-1-1	546	24

Manufacturer & Importer

Panel Door Lock / Panel Door Hinges / Latches / Door Handles / Blind Rivet Nut / Mono-Bolt Rivets
 Self Clinching Fasteners / Door gaskets / Fan Filters / Drawer Sliding Chanel