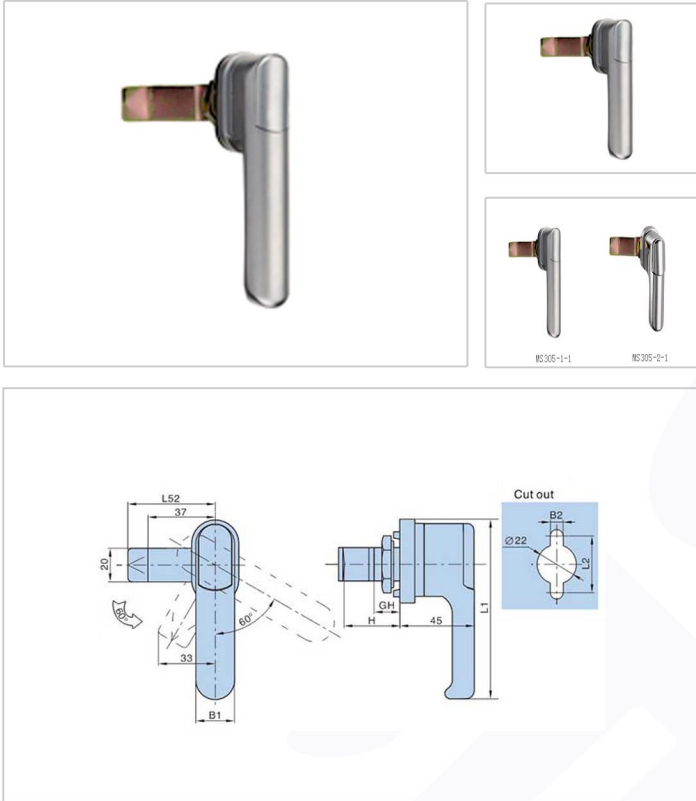


Handle Lock Serie - MS305



➤ **Features :**

- Material: Zinc die-casting body, nut, Zinc plating cam
- Finish : Bright chrome plating Gray chrome plating
- Panel thickness: 1~8mm

➤ **Material :**

- Zinc alloy

➤ **Surface treatment**

- Electroplate

➤ **Product Specification**

Dimesions						Product Number			
L1	L2	GH	B1	B2	H	Bright Chrome Plating	Gray Chrome Plating	Weight	Lot
150	40	22	28	8	45.5	MS305-1-1.1	MS305-1-1.1	516.6	50
150	40	22	28	8	45.5	MS305-1A-1.1	MS305-1A-1.1	337.5	50
107	31.8	7.2	23	7.2	37.5	MS305-2-1.1	MS305-2-1.1	376.5	100

Manufacturer & Importer

Panel Door Lock / Panel Door Hinges / Latches / Door Handles / Blind Rivet Nut / Mono-Bolt Rivets
 Self Clinching Fasteners / Door gaskets / Fan Filters / Drawer Sliding Chanel