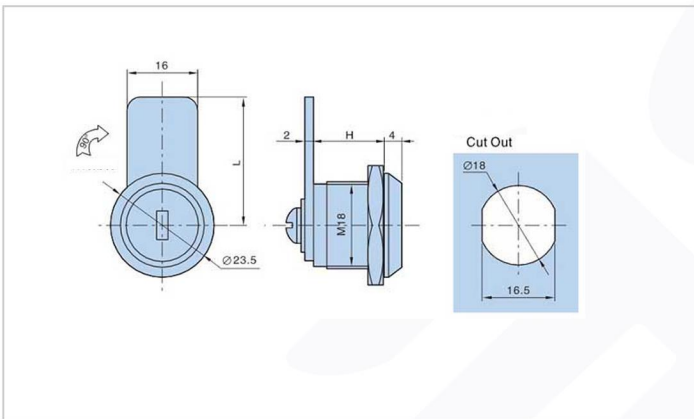


**The rotary bolt lock Serise - MS402**



**➤ Features :**

- Material: Zinc die-casting body, Nut, Zinc plating cam
- Finish: Bright chrome plating, Gray chrome plating
- Panel thickness: 1~10mm

**➤ Material :**

- Zinc alloy

**➤ Surface treatment**

- Electroplate

**➤ Product Specification**

Dimension		Product Number		
L	H	K0700 insert	Weight	Lot
39	30	MS402-1	64	300
29	20	MS402-2	45	500
29	16	MS402-3	46.5	400

**Manufacturer & Importer**

Panel Door Lock / Panel Door Hinges / Latches / Door Handles / Blind Rivet Nut / Mono-Bolt Rivets  
 Self Clinching Fasteners / Door gaskets / Fan Filters / Drawer Sliding Channel