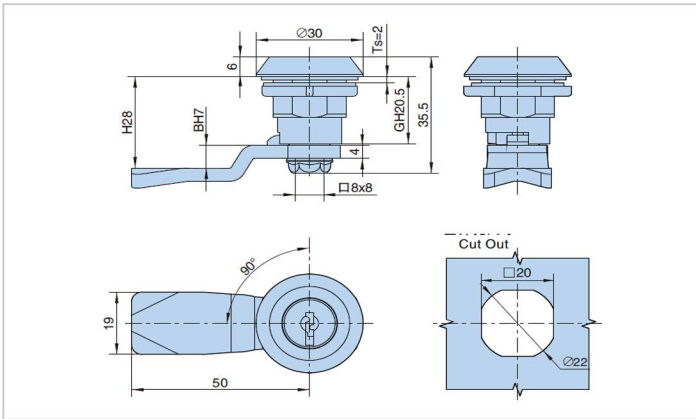
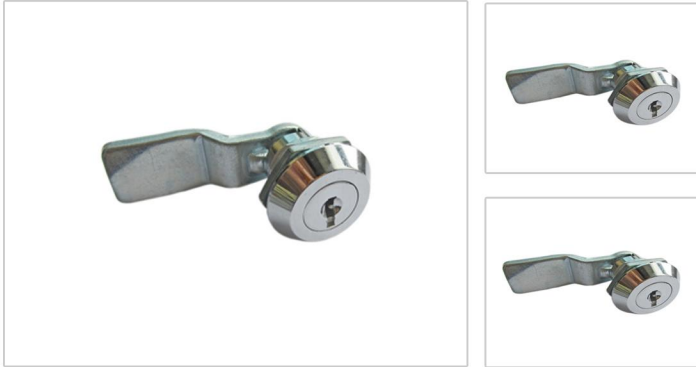


**The rotary bolt lock Serise - MS405-1-1**



**➤ Features :**

- Material:zinc die-casting body,Nut,M.S. INSERT,Zinc plating cam;
- Finish:bright chrome.
- Panel thickness:1-7mm;

**➤ Meterial :**

- Zinc alloy

**➤ Surface treatment**

- Plastic Spray

**➤ Product Specification**

Product No	Weight	Lot
MS405-1-1	105.4	200

**Manufacturer & Importer**

Panel Door Lock / Panel Door Hinges / Latches / Door Handles / Blind Rivet Nut / Mono-Bolt Rivets  
 Self Clinching Fasteners / Door gaskets / Fan Filters / Drawer Sliding Chanel