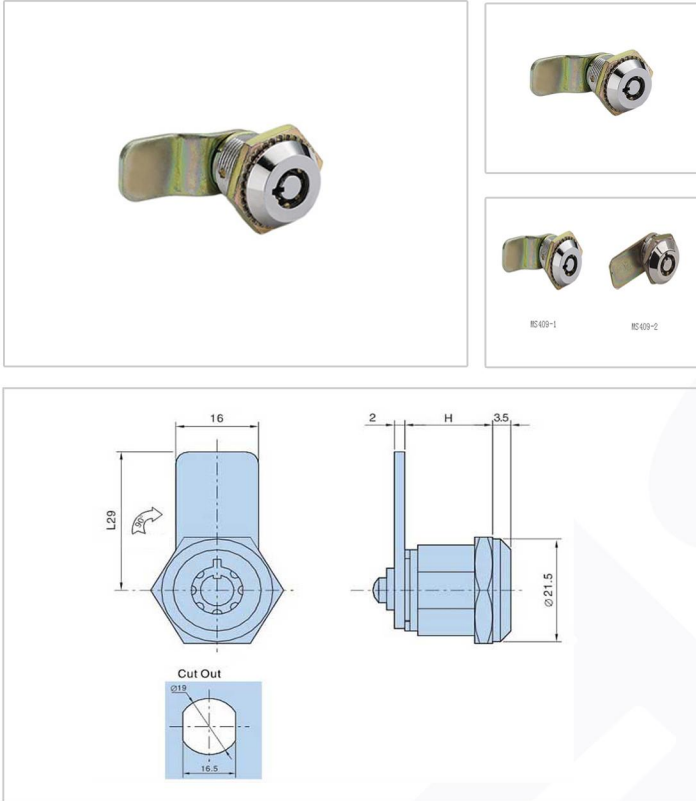


**The rotary bolt lock Serise - MS409**



**➤ Features :**

- Material: Zinc die-casting body Nut, Zinc plating cam
- Finish: Bright chrome plating
- Panel thickness: 1~6mm
- Remark: key combination 2500

**➤ Meterial :**

- Zinc alloy

**➤ Surface treatment**

- Electroplate

**➤ Product Specification**

Dimension	Product Number	Weight	Lot
H	MS409-1	70	250
13	Ms409-2	11.5	250

**Manufacturer & Importer**

Panel Door Lock / Panel Door Hinges / Latches / Door Handles / Blind Rivet Nut / Mono-Bolt Rivets  
 Self Clinching Fasteners / Door gaskets / Fan Filters / Drawer Sliding Chanel