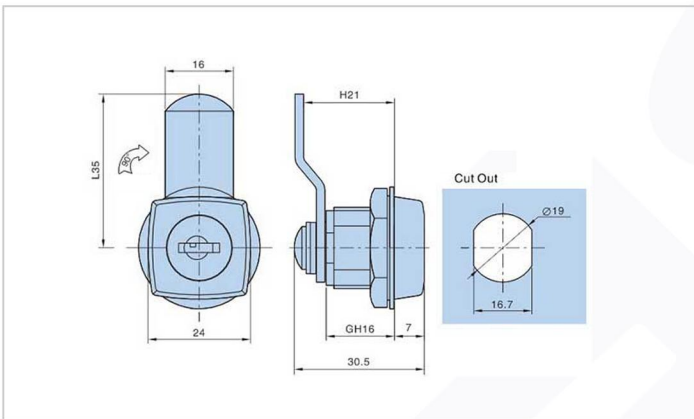
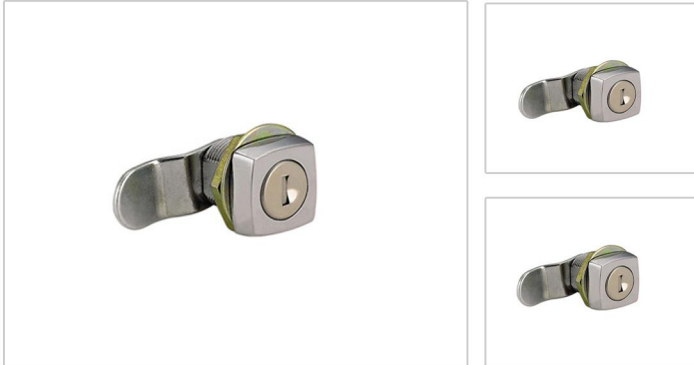


The rotary bolt lock Serise - MS411



Features :

- Material: Zinc die-casting body, Nut, Zinc plating cam; washer
- Finish: Bright chrome plating
- Panel thickness: 1~9mm

Material :

- Zinc alloy

Surface treatment

- Electroplate

Product Specification

Insert Type	Product Number	Weight	Lot
K0120	MS411	61	400
K0200	Ms4011C	71	400



Manufacturer & Importer

Panel Door Lock / Panel Door Hinges / Latches / Door Handles / Blind Rivet Nut / Mono-Bolt Rivets
 Self Clinching Fasteners / Door gaskets / Fan Filters / Drawer Sliding Channel