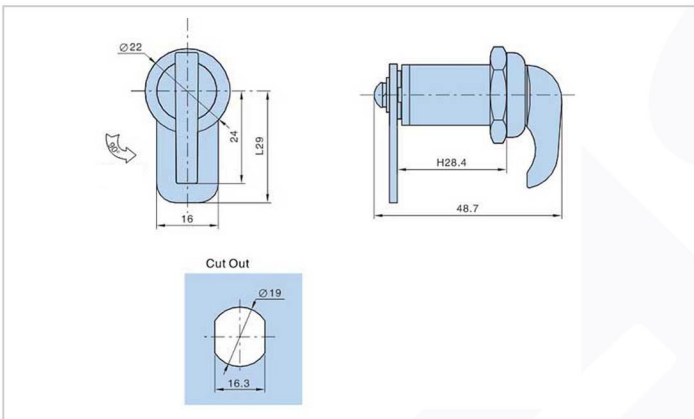
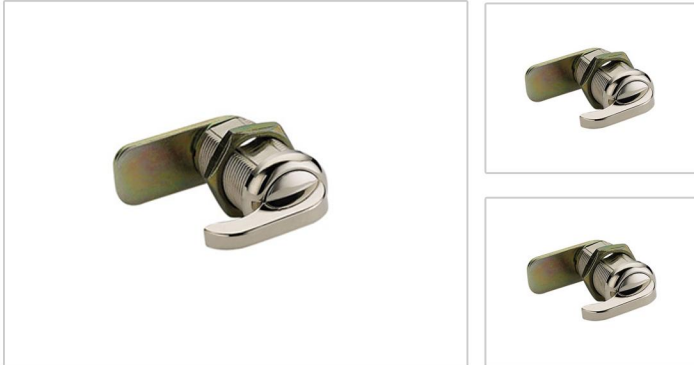


**The rotary bolt lock Serie - MS412**



**Features :**

- Material: Zinc die-casting body, Nut, Zinc plating cam; washer
- Finish: Nickel platin
- Panel thickness: 1~20mm

**Material :**

- Zinc alloy

**Surface treatment**

- Electroplate

**Product Specification**

Product Number	Weight	Lot
MS412	73	300



**Manufacturer & Importer**

Panel Door Lock / Panel Door Hinges / Latches / Door Handles / Blind Rivet Nut / Mono-Bolt Rivets  
 Self Clinching Fasteners / Door gaskets / Fan Filters / Drawer Sliding Channel