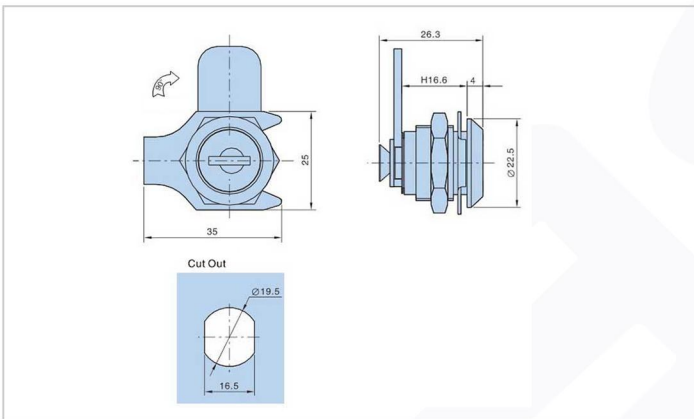


The rotary bolt lock Serise - MS416



➤ Features :

- Material: Zinc die-casting body, Nut, Zinc plating camfixing parts
- Finish: Bright chrome plating
- Panel thickness: 1~2mm

➤ Material :

- Zinc alloy

➤ Surface treatment

- Electroplate

➤ Product Specification

Product Number	Weight	Lot
MS416	53	200



Manufacturer & Importer

Panel Door Lock / Panel Door Hinges / Latches / Door Handles / Blind Rivet Nut / Mono-Bolt Rivets
 Self Clinching Fasteners / Door gaskets / Fan Filters / Drawer Sliding Channel