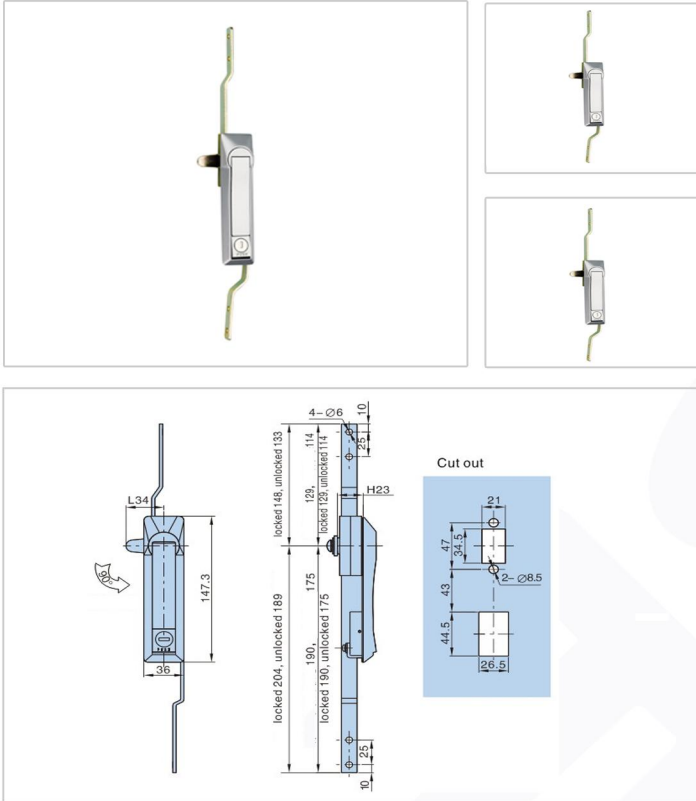


The connecting rod lock Serise - MS460



► Features :

- Material: Zinc die-casting body, Zinc plating cam, fixing parts, driving rod
- Panel thickness: 1~2.5mm
- Remark: cam cutout 8x8 padlockable on request

► Material :

- Zinc alloy

► Surface treatment

- Electroplate

► Product Specification

	Product Number	Weight	Lot
Gray Chrome Plating	MS460-1-1.2	530	50
Gray Spray paint	MS460-1-1.8	528	50
Gray Spray paint	MS460-1-G.5	550	50

Manufacturer & Importer

Panel Door Lock / Panel Door Hinges / Latches / Door Handles / Blind Rivet Nut / Mono-Bolt Rivets
 Self Clinching Fasteners / Door gaskets / Fan Filters / Drawer Sliding Channel