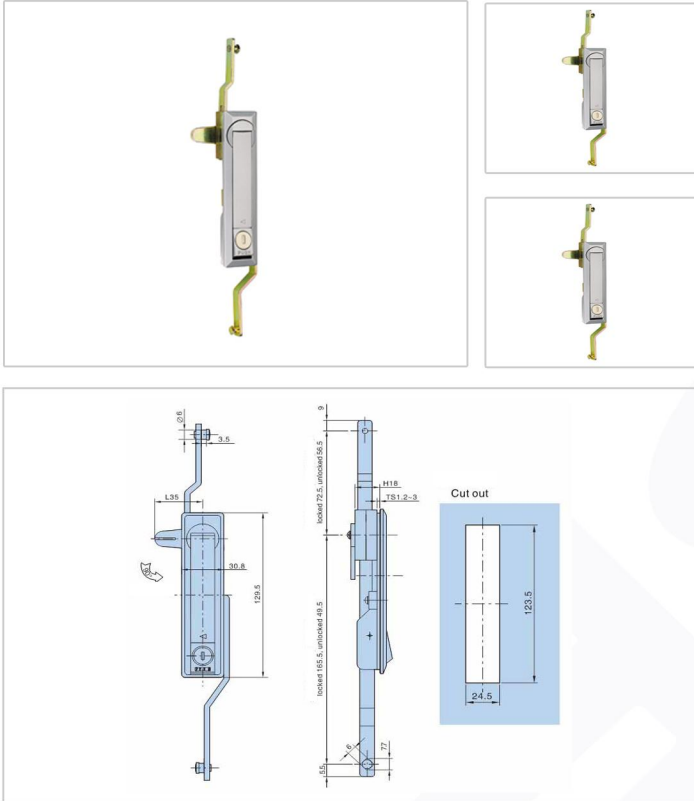


**The connecting rod lock Serise - MS462**



**➤ Features :**

- Material: Zinc die-casting body, Zinc plating cam, fixing parts, driving rod
- Panel thickness: 1.2~3mm
- Remark: cam cutout 7×7

**➤ Material :**

- Zinc alloy

**➤ Surface treatment**

- Electroplate

**➤ Product Specification**

	Product Number	Weight	Lot
Gray Chrome Plating	MS462-1-1.2	343	60
Gray Spray paint	MS462-1-1.8	275	60

**Manufacturer & Importer**

Panel Door Lock / Panel Door Hinges / Latches / Door Handles / Blind Rivet Nut / Mono-Bolt Rivets  
 Self Clinching Fasteners / Door gaskets / Fan Filters / Drawer Sliding Chanel