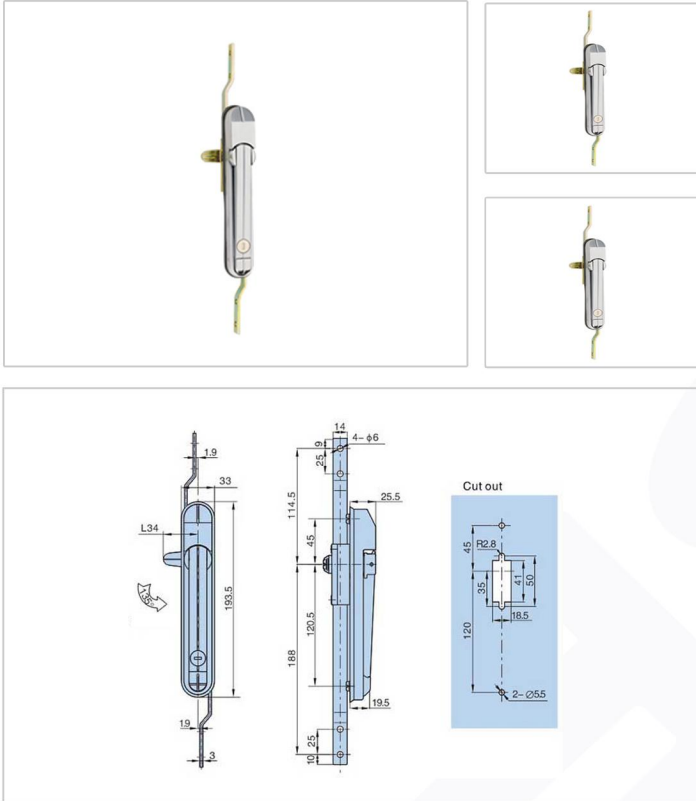


The connecting rod lock Serise - MS484



► Features :

- Material: Zinc die-casting body and shaft, Zinc plating cam, fixing parts, nickel driving rod
- Panel thickness: 1~2mm
- Remark: cam cutout 7×7

► Material :

- Zinc alloy

► Surface treatment

- Plastic Spray
- Electroplate

► Product Specification

Product Number		Weight	Lot
Gray Chrome Plating	MS484-1-1.2	563.5	50
Powder Coated	MS484-1-1.6		

Manufacturer & Importer

Panel Door Lock / Panel Door Hinges / Latches / Door Handles / Blind Rivet Nut / Mono-Bolt Rivets
 Self Clinching Fasteners / Door gaskets / Fan Filters / Drawer Sliding Chanel