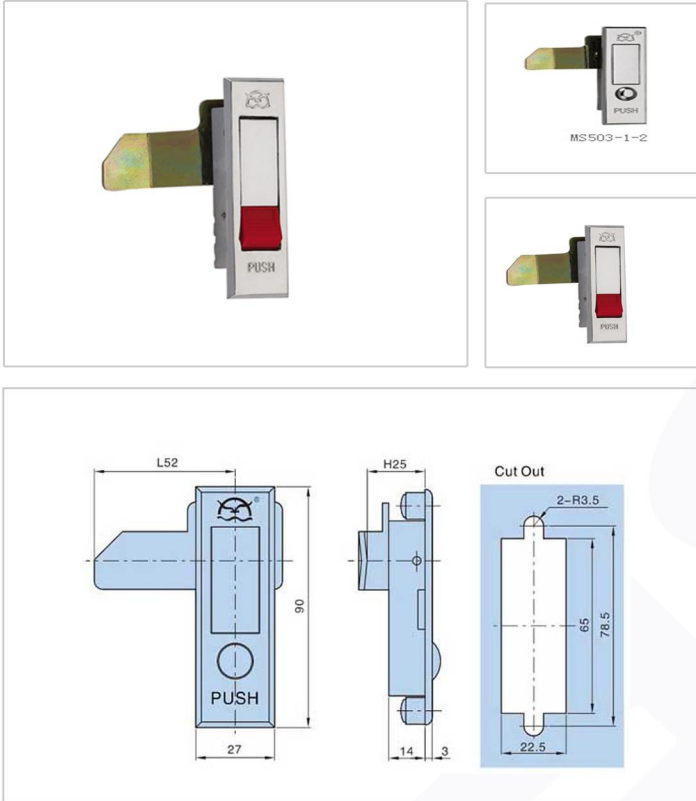


Flat lock Serise - MS503-1-2



➤ Features :

- Material:Zinc die-casting body,Zinc plating cam、fixing parts
- Finish: Bright chrome plating
- Panel thickness:1~4mm
- Remark:Left cam and right cam are available

➤ Meterial :

- Zinc alloy

➤ Surface treatment

- Electroplate

➤ Product Specification

	Product Number	Weight	Lot
Circular Push Button	MS503-1-2	145	200
Red Button	MS503-1-2A	121	200

Manufacturer & Importer

Panel Door Lock / Panel Door Hinges / Latches / Door Handles / Blind Rivet Nut / Mono-Bolt Rivets
 Self Clinching Fasteners / Door gaskets / Fan Filters / Drawer Sliding Chanel