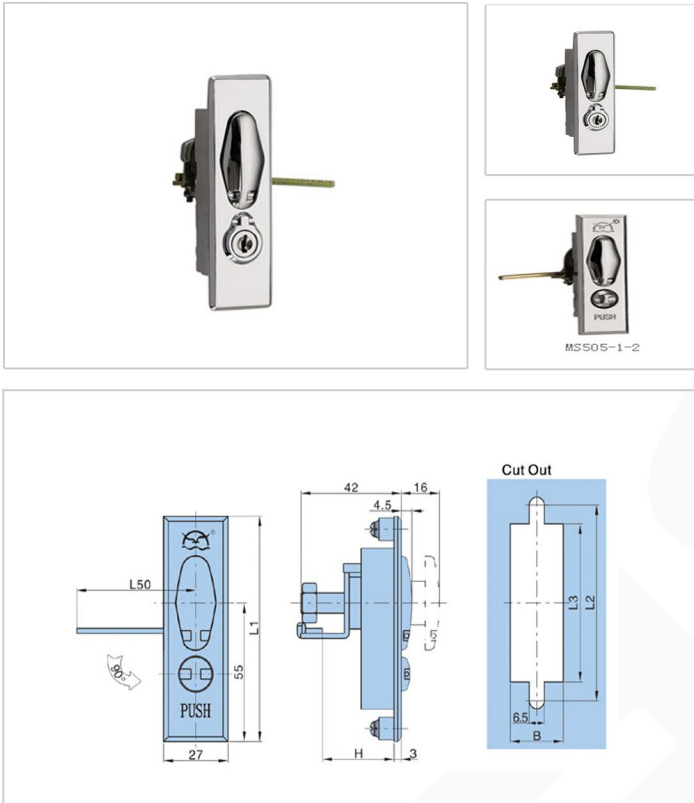


Flat lock Serise - MS505



Features :

- Material: Zinc die-casting body, Zinc plating cam, fixing parts
- Finish: Bright chrome plating
- Panel thickness: 1~5mm
- Remark: Left cam and right cam are available

Material :

- Zinc alloy

Surface treatment

- Electroplate

Product Specification

Dimension					Product Number	Weight	Lot
L1	L2	L3	B	H	Bright chrome painting		
92	81	66	22	25-41	MS505-1-1.1	228	100
90	80.5	65	23	20-36	MS505-1-2.1	178	100

Manufacturer & Importer

Panel Door Lock / Panel Door Hinges / Latches / Door Handles / Blind Rivet Nut / Mono-Bolt Rivets
 Self Clinching Fasteners / Door gaskets / Fan Filters / Drawer Sliding Chanel