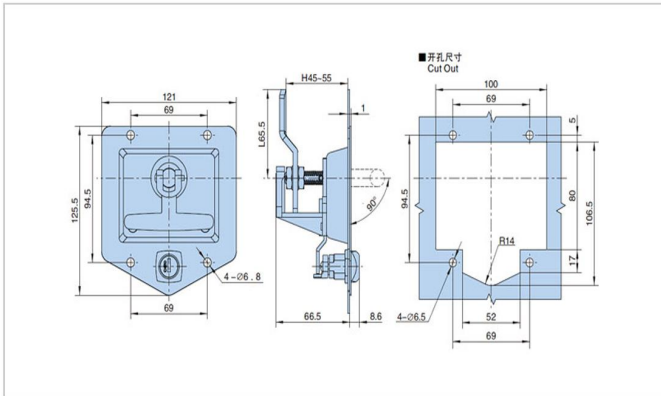


Plane lock series Serise - MS5094Z-1-1



➤ Features :

- Material:stainless steel for the panel,zinc alloy for the handle,housing andaxle sleeve,A3 for the screw and cam.
- Finish:mirror polish for the panel,bright chrome for the handle and housing,blue-white zinc plating for the accessories.
- Panel thickness:1-4.5mm.

➤ Meterial :

- Zinc alloy
- Stainless steel

➤ Surface treatment

- Electroplate

➤ Product Specification

Product No	Weight	Lot
MS5094Z-1-1	660.2	24

Manufacturer & Importer

Panel Door Lock / Panel Door Hinges / Latches / Door Handles / Blind Rivet Nut / Mono-Bolt Rivets
 Self Clinching Fasteners / Door gaskets / Fan Filters / Drawer Sliding Chanel