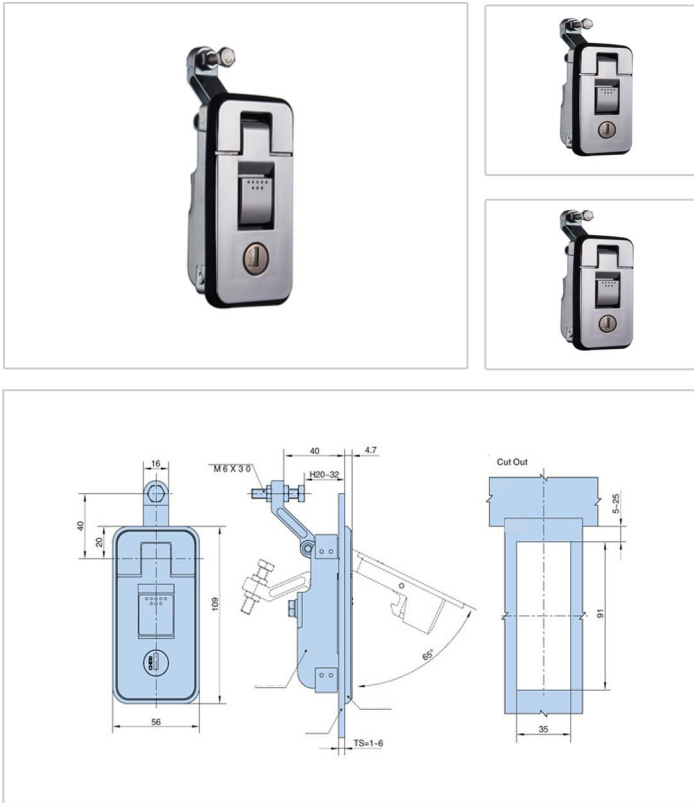


Flat lock Serise - MS6018Z-1-1



➤ Features :

- Material:zinc alloy for the housing,lock back,button and top lever,A3 for the mounting plate.
- Finish:bright chrome or sand grain black.
- Funtion:quick unlocking,easy installing,with auto scaling, adjust the screw to enable the hinge to the whole range of seam allowance.
- Panel thickness:1-6mm.

➤ Meterial :

- Zinc alloy

➤ Surface treatment

- Plastic Spray
- Electroplate

➤ Product Specification

Product No	Weight	Lot
MS6018Z-1-1	537.5	40

Manufacturer & Importer

Panel Door Lock / Panel Door Hinges / Latches / Door Handles / Blind Rivet Nut / Mono-Bolt Rivets
 Self Clinching Fasteners / Door gaskets / Fan Filters / Drawer Sliding Chanel